

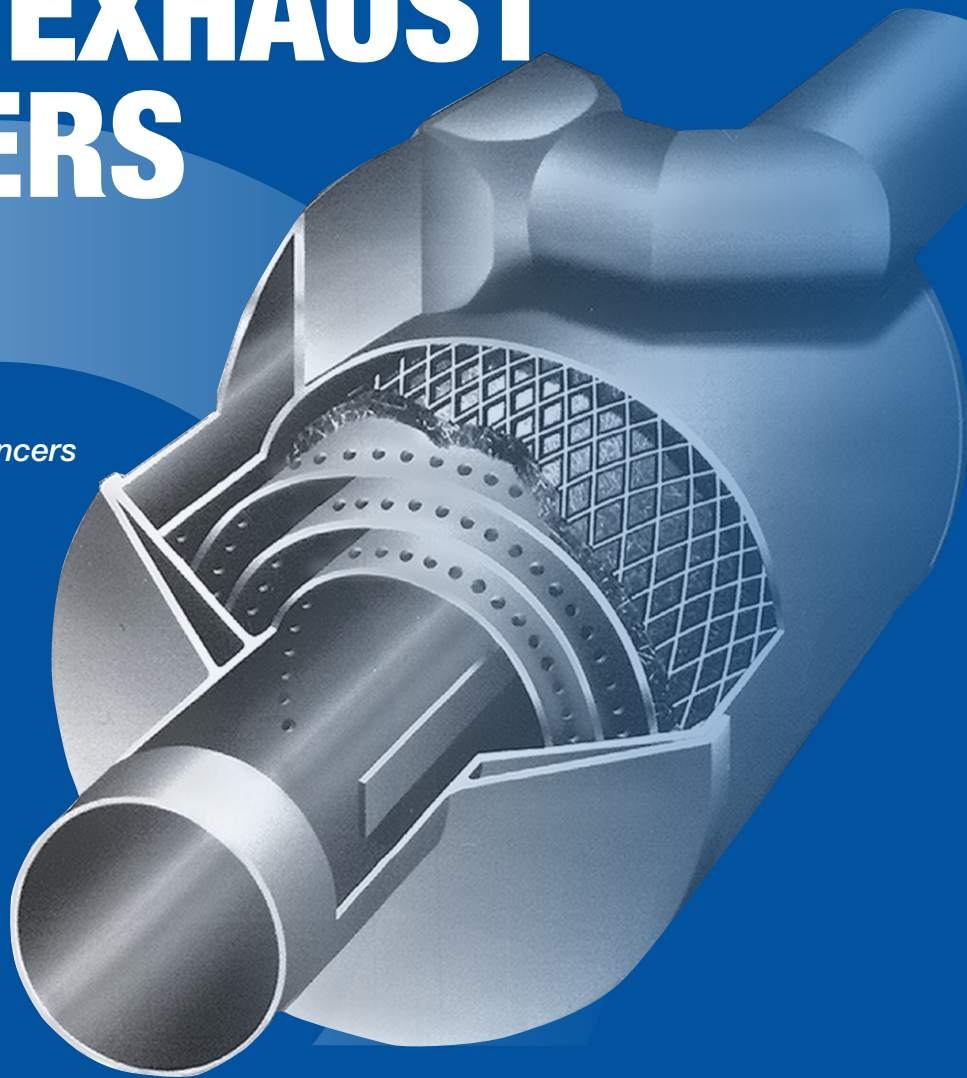


Spiral Chamber Silencers Performance without the bulk

ENGINE EXHAUST SILENCERS

Compact Spiral Design Silencers

Exhaust System Accessories



PHILLIPS & TEMRO INDUSTRIES, LTD.

100 Paquin Road

Winnipeg, Manitoba R2J 3V4

(204) 654-6296 • Fax: (204) 661-2639

www.phillipsandtemro.com



Contact Information

Engine Exhaust Silencers and Accessories Manufacturing Facilities



Phillips & Temro Industries, Ltd.

100 Paquin Road
Winnipeg, MB R2J 3V4 Canada
Ph# 204-654-6296
Fax# 204-661-2639



EM Products Division Phillips & Temro Industries

5380 Cottonwood Lane
Prior Lake, MN 55372
Ph# 952-440-9200
Fax# 952-440-3400



Cold Weather Starting, Comfort, and Emissions Control Products Manufacturing Facilities



Phillips & Temro Industries, Ltd.

100 Paquin Road
Winnipeg, MB R2J 3V4 Canada
Ph# 1-800-328-6108
Fax# 952-941-2285



Phillips & Temro Industries

9700 W 74th Street
Eden Prairie, MN 55344
Ph# 952-941-9700
Fax# 952-941-2285



Manufactured by **Phillips & Temro Industries, Ltd.**

Visit us at www.phillipsandtemro.com

COWL® is a registered trademark of Phillips & Temro Industries, Inc. We reserve the right to change specifications appearing without incurring an obligation for equipment previously or subsequently sold. Dimensions and weights are nominal and may vary slightly with production models.

Local Sales Representative / Distributor





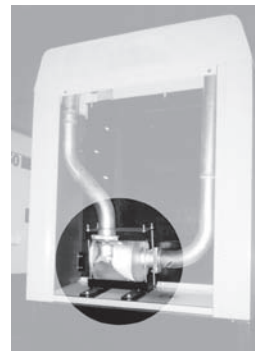
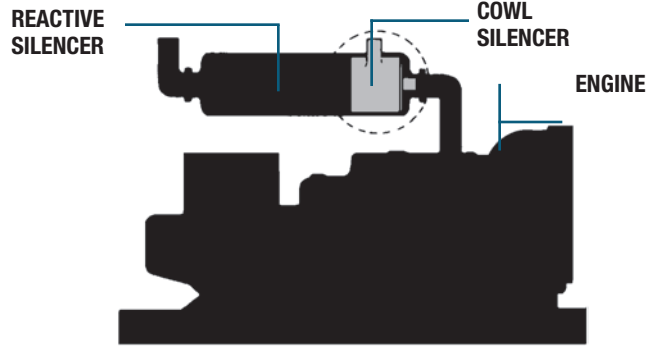
Meeting Your Complete Exhaust System Needs



Cowl® silencers feature a unique single spiral chamber that allows a free flow of exhaust gases through a uniform cross section partially lined with

stainless steel wool and mesh. As exhaust gases pass through the spiral, noise is diffused and progressively attenuated...in a package about 1/3 the size and 1/2 the weight of most reactive silencers.

Many options are available to complete your installation including rain caps, flanges, mounting brackets, elbow connections, and flex connections. Many of the accessories listed in the EM Products® catalog are available for use with the Cowl® product line.



Cowl® silencers are available in residential and critical grades. Factory customization is also available to fit your specific silencing needs.

Standard Cowl Models

(Shown with standard high-temperature black paint finish.)

MODELS:

“PL”



Pgs. 5, 7

“PR”



Pgs. 4, 6

“TL”



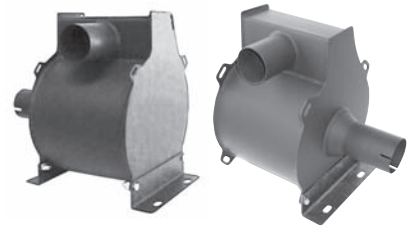
Pgs. 9, 11

“TR”



Pgs. 8, 10

“MS SERIES”



Pgs. 20-23

MODELS:

“SL”



Pgs. 16, 18

“SR”



Pgs. 13, 15

“PV”



Pgs. 12, 14

“SV”



Pgs. 17, 19

“MD”



Pg. 24

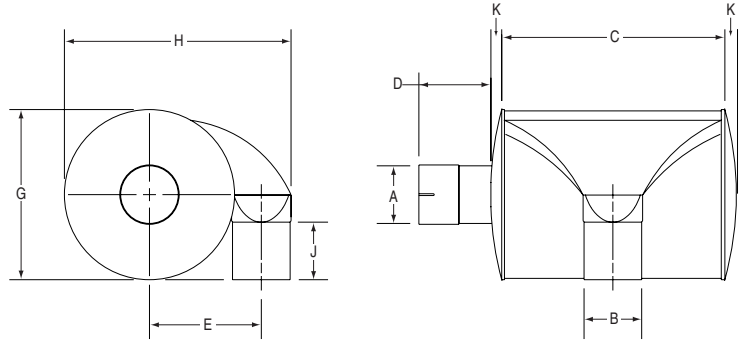


Engine Exhaust Silencers

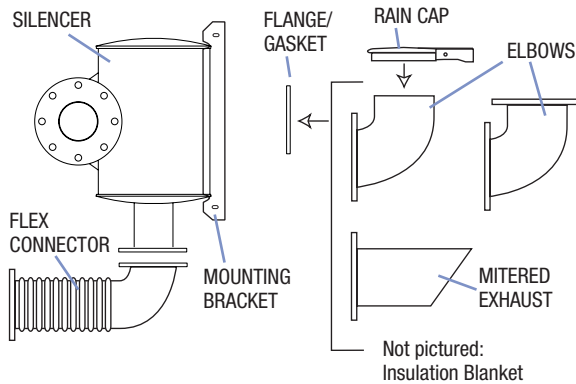
TS Residential Grade — “PR” Model

Standard Features

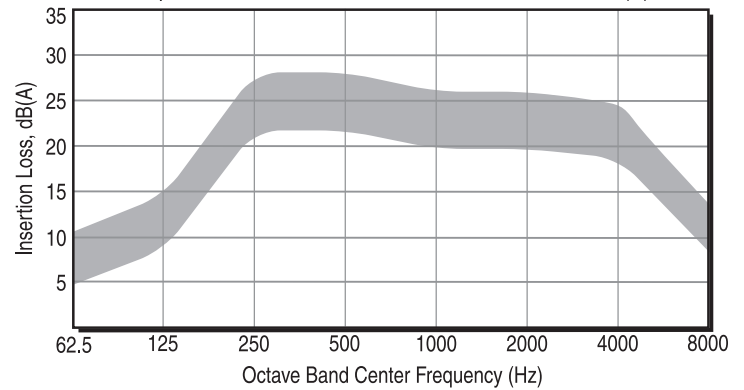
- Typical Insertion Loss = 22 — 28 dB(A)
(Actual Insertion Loss May Vary Per Application)
- Compact Spiral Chamber Design
- Low Back Pressure
- Aluminized Steel Construction
- Low Weight
- Standard Slip-Fit Connections
- Standard High Temp Finish
- Complete Line of Accessories and Mounting Brackets
- Stainless Steel Construction & Factory Customization Available



Engine Exhaust Silencer Shown with Optional Accessories



Representative Cowl Insertion Loss - TS Series dB(A)



Dimensions in Inches/Millimeters, Weight in Pounds/Kilograms

| Part No. | A inch / mm | B inch / mm | C inch / mm | D inch / mm | E inch / mm | G inch / mm | H inch / mm | J inch / mm | K inch / mm | Weight pounds / kg |
|-------------|----------------|----------------|----------------|----------------|----------------|----------------|----------------|----------------|----------------|-----------------------|
| TS15PRS000 | 1.50 / 38 | 1.50 / 38 | 5.24 / 133 | 2.50 / 64 | 4.12 / 105 | 7.18 / 182 | 8.55 / 217 | 3.59 / 91 | .50 / 13 | 10 / 5 |
| TS20PRS000 | 2.00 / 51 | 2.00 / 51 | 7.24 / 184 | 3.50 / 89 | 4.37 / 111 | 7.18 / 182 | 9.05 / 230 | 3.59 / 91 | .50 / 13 | 14 / 7 |
| TS25PRS000 | 2.50 / 64 | 2.50 / 64 | 8.24 / 209 | 3.50 / 89 | 5.41 / 137 | 8.81 / 224 | 11.13 / 283 | 4.41 / 112 | .50 / 13 | 19 / 9 |
| TS30PRS000 | 3.00 / 76 | 3.00 / 76 | 9.24 / 235 | 5.25 / 133 | 7.05 / 179 | 11.81 / 300 | 14.52 / 369 | 5.91 / 150 | .75 / 19 | 31 / 14 |
| TS35PRS000 | 3.50 / 89 | 3.50 / 89 | 11.49 / 292 | 5.25 / 133 | 7.26 / 184 | 11.81 / 300 | 14.92 / 379 | 5.91 / 150 | .75 / 19 | 38 / 18 |
| TS40PRS000 | 4.00 / 102 | 4.00 / 102 | 15.49 / 393 | 5.25 / 133 | 7.76 / 197 | 11.81 / 300 | 15.73 / 400 | 5.91 / 150 | .75 / 19 | 46 / 21 |
| TS45PRS000 | 4.50 / 114 | 4.50 / 114 | 12.49 / 317 | 5.00 / 127 | 10.04 / 255 | 16.06 / 408 | 20.38 / 518 | 8.03 / 204 | 1.00 / 25 | 65 / 30 |
| TS50PRS000 | 5.00 / 127 | 5.00 / 127 | 16.49 / 419 | 5.00 / 127 | 10.27 / 261 | 16.06 / 408 | 20.84 / 529 | 8.03 / 204 | 1.00 / 25 | 71 / 33 |
| TS60PRS000 | 6.00 / 152 | 6.00 / 152 | 22.49 / 571 | 5.00 / 127 | 10.65 / 271 | 16.06 / 408 | 21.74 / 552 | 8.03 / 204 | 1.00 / 25 | 92 / 42 |
| TS70PRS000 | 8.00 / 203 | 8.00 / 203 | 15.35 / 390 | 6.55 / 166 | 14.58 / 370 | 22.00 / 559 | 29.72 / 755 | 11.00 / 279 | 1.45 / 37 | 100 / 46 |
| TS80PRS000 | 8.00 / 203 | 8.00 / 203 | 24.27 / 616 | 6.55 / 166 | 14.58 / 370 | 22.00 / 559 | 29.72 / 755 | 11.00 / 279 | 1.45 / 37 | 154 / 70 |
| TS100PRS000 | 10.00 / 254 | 10.00 / 254 | 30.08 / 764 | 6.25 / 159 | 18.14 / 461 | 28.00 / 711 | 37.15 / 944 | 14.00 / 358 | 1.75 / 44 | 250 / 114 |
| TS120PRS000 | 12.00 / 305 | 12.00 / 305 | 36.08 / 916 | 5.75 / 146 | 21.63 / 549 | 33.00 / 838 | 44.19 / 1122 | 16.50 / 419 | 2.25 / 57 | 365 / 166 |

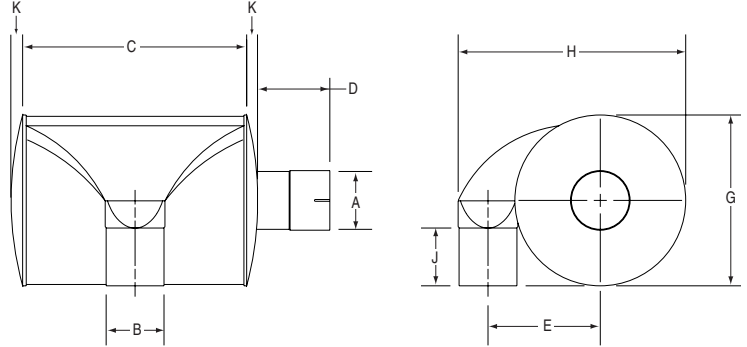


Engine Exhaust Silencers

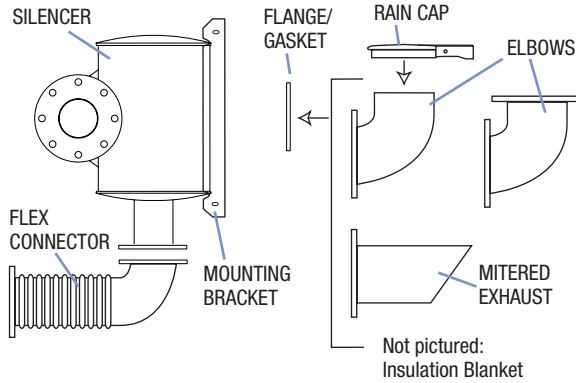
TS RESIDENTIAL GRADE — “PL” MODEL

Standard Features

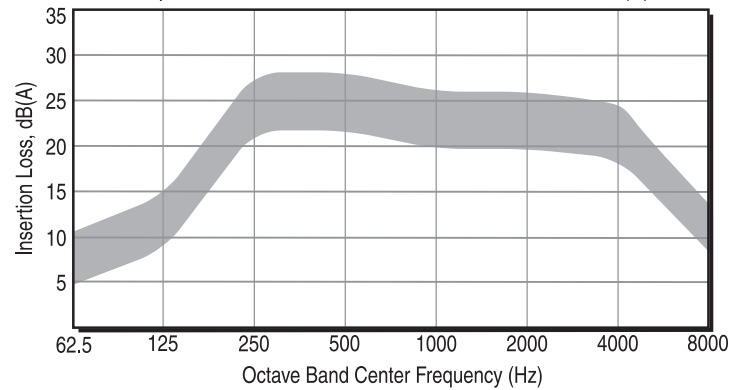
- Typical Insertion Loss = 22 — 28 dB(A)
(Actual Insertion Loss May Vary Per Application)
- Compact Spiral Chamber Design
- Low Back Pressure
- Aluminized Steel Construction
- Low Weight
- Standard Slip-Fit Connections
- Standard High Temp Finish
- Complete Line of Accessories and Mounting Brackets
- Stainless Steel Construction & Factory Customization Available



Engine Exhaust Silencer Shown with Optional Accessories



Representative Cowl Insertion Loss - TS Series dB(A)



Dimensions in Inches/Millimeters, Weight in Pounds/Kilograms

| Part No. | A inch / mm | B inch / mm | C inch / mm | D inch / mm | E inch / mm | G inch / mm | H inch / mm | J inch / mm | K inch / mm | Weight pounds / kg |
|-------------|----------------|----------------|----------------|----------------|----------------|----------------|----------------|----------------|----------------|-----------------------|
| TS15PLS000 | 1.50 / 38 | 1.50 / 38 | 5.24 / 133 | 2.50 / 64 | 4.12 / 105 | 7.18 / 182 | 8.55 / 217 | 3.59 / 91 | .50 / 13 | 10 / 5 |
| TS20PLS000 | 2.00 / 51 | 2.00 / 51 | 7.24 / 184 | 3.50 / 89 | 4.37 / 111 | 7.18 / 182 | 9.05 / 230 | 3.59 / 91 | .50 / 13 | 14 / 7 |
| TS25PLS000 | 2.50 / 64 | 2.50 / 64 | 8.24 / 209 | 3.50 / 89 | 5.41 / 137 | 8.81 / 224 | 11.13 / 283 | 4.41 / 112 | .50 / 13 | 19 / 9 |
| TS30PLS000 | 3.00 / 76 | 3.00 / 76 | 9.24 / 235 | 5.25 / 133 | 7.05 / 179 | 11.81 / 300 | 14.52 / 369 | 5.91 / 150 | .75 / 19 | 31 / 14 |
| TS35PLS000 | 3.50 / 89 | 3.50 / 89 | 11.49 / 292 | 5.25 / 133 | 7.26 / 184 | 11.81 / 300 | 14.92 / 379 | 5.91 / 150 | .75 / 19 | 38 / 18 |
| TS40PLS000 | 4.00 / 102 | 4.00 / 102 | 15.49 / 393 | 5.25 / 133 | 7.76 / 197 | 11.81 / 300 | 15.73 / 400 | 5.91 / 150 | .75 / 19 | 46 / 21 |
| TS45PLS000 | 4.50 / 114 | 4.50 / 114 | 12.49 / 317 | 5.00 / 127 | 10.04 / 255 | 16.06 / 408 | 20.38 / 518 | 8.03 / 204 | 1.00 / 25 | 65 / 30 |
| TS50PLS000 | 5.00 / 127 | 5.00 / 127 | 16.49 / 419 | 5.00 / 127 | 10.27 / 261 | 16.06 / 408 | 20.84 / 529 | 8.03 / 204 | 1.00 / 25 | 71 / 33 |
| TS60PLS000 | 6.00 / 152 | 6.00 / 152 | 22.49 / 571 | 5.00 / 127 | 10.65 / 271 | 16.06 / 408 | 21.74 / 552 | 8.03 / 204 | 1.00 / 25 | 92 / 42 |
| TS70PLS000 | 8.00 / 203 | 8.00 / 203 | 15.35 / 390 | 6.55 / 166 | 14.58 / 370 | 22.00 / 559 | 29.72 / 755 | 11.00 / 279 | 1.45 / 37 | 100 / 46 |
| TS80PLS000 | 8.00 / 203 | 8.00 / 203 | 24.27 / 616 | 6.55 / 166 | 14.58 / 370 | 22.00 / 559 | 29.72 / 755 | 11.00 / 279 | 1.45 / 37 | 154 / 70 |
| TS100PLS000 | 10.00 / 254 | 10.00 / 254 | 30.08 / 764 | 6.25 / 159 | 18.14 / 461 | 28.00 / 711 | 37.15 / 944 | 14.00 / 358 | 1.75 / 44 | 250 / 114 |
| TS120PLS000 | 12.00 / 305 | 12.00 / 305 | 36.08 / 916 | 5.75 / 146 | 21.63 / 549 | 33.00 / 838 | 44.19 / 1122 | 16.50 / 419 | 2.25 / 57 | 365 / 166 |

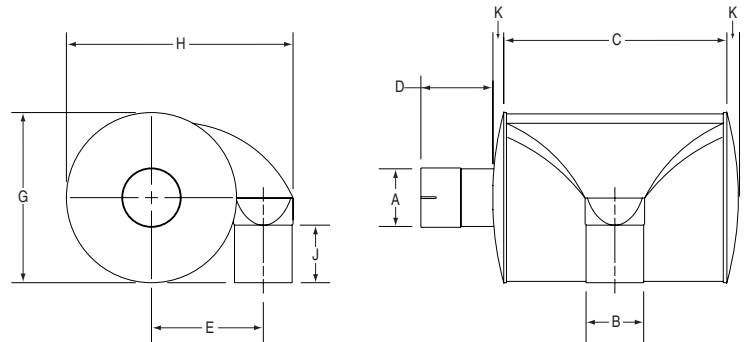


Engine Exhaust Silencers

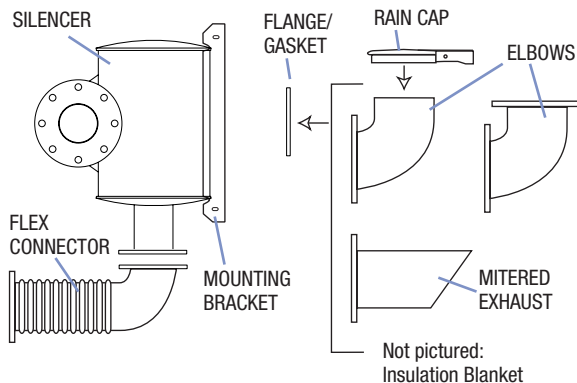
TXS CRITICAL GRADE — “PR” MODEL

Standard Features

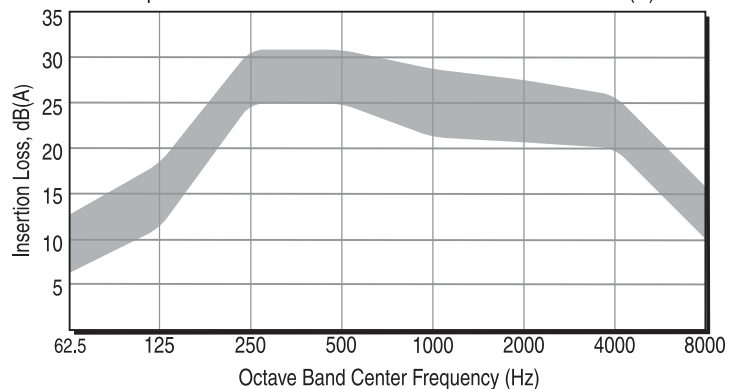
- Typical Insertion Loss = 28 — 33 dB(A) (Actual Insertion Loss May Vary Per Application)
- Compact Spiral Chamber Design
- Low Back Pressure
- Aluminized Steel Construction
- Low Weight
- Standard High Temp Finish
- Complete Line of Accessories and Mounting Brackets
- Stainless Steel Construction & Factory Customization Available



Engine Exhaust Silencer Shown with Optional Accessories



Representative Cowl Insertion Loss - TXS Series dB(A)



Dimensions in Inches/Millimeters, Weight in Pounds/Kilograms

| Part No. | A inch / mm | B inch / mm | C inch / mm | D inch / mm | E inch / mm | G inch / mm | H inch / mm | J inch / mm | K inch / mm | Weight pounds / kg |
|--------------|----------------|----------------|----------------|----------------|----------------|----------------|----------------|----------------|----------------|-----------------------|
| TXS15PRS000 | 1.50 / 38 | 1.50 / 38 | 5.24 / 133 | 2.50 / 64 | 4.85 / 123 | 8.81 / 224 | 10.03 / 255 | 4.41 / 112 | .50 / 13 | 12 / 6 |
| TXS20PRS000 | 2.00 / 51 | 2.00 / 51 | 7.24 / 184 | 3.50 / 89 | 5.00 / 127 | 8.81 / 224 | 10.49 / 266 | 4.41 / 112 | .50 / 13 | 17 / 8 |
| TXS25PRS000 | 2.50 / 64 | 2.50 / 64 | 8.24 / 209 | 3.25 / 83 | 6.45 / 164 | 11.81 / 300 | 13.87 / 347 | 5.91 / 150 | .75 / 19 | 31 / 14 |
| TXS30PRS000 | 3.00 / 76 | 3.00 / 76 | 9.24 / 235 | 5.00 / 127 | 8.60 / 218 | 16.06 / 408 | 18.20 / 462 | 8.03 / 204 | 1.00 / 25 | 53 / 24 |
| TXS35PRS000 | 3.50 / 89 | 3.50 / 89 | 11.49 / 292 | 5.00 / 127 | 8.82 / 224 | 16.06 / 408 | 18.61 / 473 | 8.03 / 204 | 1.00 / 25 | 61 / 28 |
| TXS40PRS000 | 4.00 / 102 | 4.00 / 102 | 15.49 / 393 | 5.00 / 127 | 9.37 / 238 | 16.06 / 408 | 19.46 / 494 | 8.03 / 204 | 1.00 / 25 | 75 / 34 |
| TXS45PRS000 | 4.50 / 114 | 4.50 / 114 | 12.49 / 317 | 4.55 / 116 | 11.32 / 288 | 19.38 / 492 | 23.32 / 592 | 9.69 / 246 | 1.45 / 37 | 80 / 37 |
| TXS50PRS000 | 5.00 / 127 | 5.00 / 127 | 16.49 / 419 | 4.55 / 116 | 11.54 / 293 | 19.38 / 492 | 23.79 / 604 | 9.69 / 246 | 1.45 / 37 | 97 / 44 |
| TXS60PRS000 | 6.00 / 152 | 6.00 / 152 | 22.49 / 571 | 4.55 / 116 | 11.98 / 304 | 19.38 / 492 | 24.73 / 628 | 9.69 / 246 | 1.45 / 37 | 124 / 57 |
| TXS70PRS000 | 8.00 / 203 | 8.00 / 203 | 15.41 / 391 | 6.55 / 166 | 16.87 / 428 | 26.50 / 673 | 34.12 / 867 | 13.25 / 337 | 1.45 / 37 | 140 / 64 |
| TXS80PRS000 | 8.00 / 203 | 8.00 / 203 | 24.33 / 618 | 6.55 / 166 | 16.87 / 428 | 26.50 / 673 | 34.12 / 867 | 13.25 / 337 | 1.45 / 37 | 216 / 98 |
| TXS100PRS000 | 10.00 / 254 | 10.00 / 254 | 30.08 / 764 | 6.25 / 159 | 21.28 / 541 | 34.00 / 864 | 43.34 / 1101 | 17.00 / 432 | 1.75 / 44 | 350 / 159 |
| TXS120PRS000 | 12.00 / 305 | 12.00 / 305 | 36.08 / 916 | 5.75 / 146 | 24.70 / 627 | 40.00 / 1016 | 50.76 / 1289 | 20.00 / 508 | 2.25 / 57 | 511 / 232 |

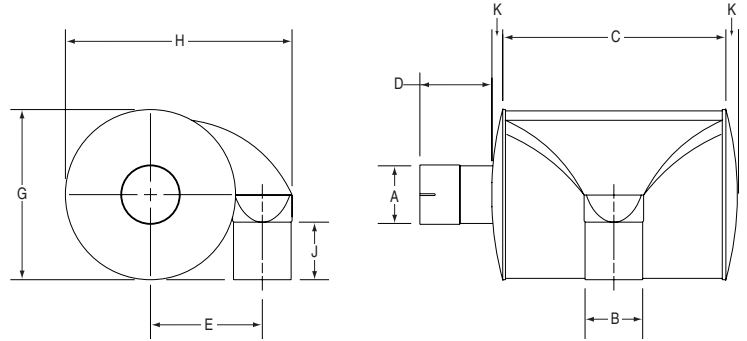


Engine Exhaust Silencers

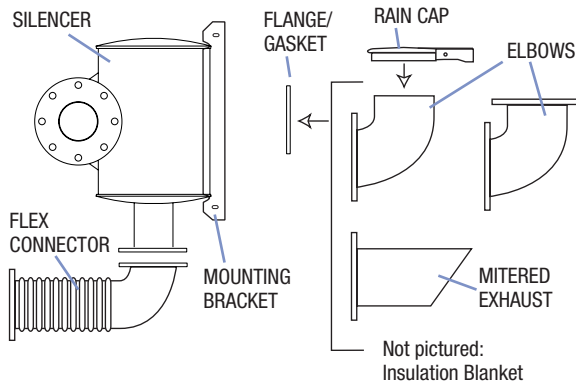
TXS CRITICAL GRADE — “PL” MODEL

Standard Features

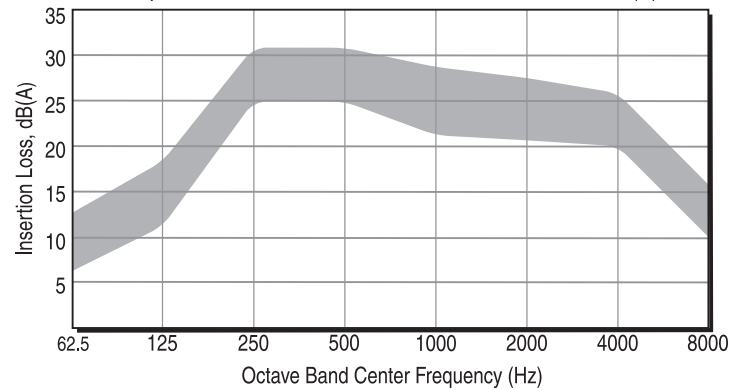
- Typical Insertion Loss = 28 — 33 dB(A) (Actual Insertion Loss May Vary Per Application)
- Compact Spiral Chamber Design
- Low Back Pressure
- Aluminized Steel Construction
- Low Weight
- Standard Slip-Fit Connections
- Standard High Temp Finish
- Complete Line of Accessories and Mounting Brackets
- Stainless Steel Construction & Factory Customization Available



Engine Exhaust Silencer Shown with Optional Accessories



Representative Cowl Insertion Loss - TXS Series dB(A)



Dimensions in Inches/Millimeters, Weight in Pounds/Kilograms

| Part No. | A inch / mm | B inch / mm | C inch / mm | D inch / mm | E inch / mm | G inch / mm | H inch / mm | J inch / mm | K inch / mm | Weight pounds / kg |
|--------------|----------------|----------------|----------------|----------------|----------------|----------------|----------------|----------------|----------------|-----------------------|
| TXS15PLS000 | 1.50 / 38 | 1.50 / 38 | 5.24 / 133 | 2.50 / 64 | 4.85 / 123 | 8.81 / 224 | 10.03 / 255 | 4.41 / 112 | .50 / 13 | 12 / 6 |
| TXS20PLS000 | 2.00 / 51 | 2.00 / 51 | 7.24 / 184 | 3.50 / 89 | 5.00 / 127 | 8.81 / 224 | 10.49 / 266 | 4.41 / 112 | .50 / 13 | 17 / 8 |
| TXS25PLS000 | 2.50 / 64 | 2.50 / 64 | 8.24 / 209 | 3.25 / 83 | 6.45 / 164 | 11.81 / 300 | 13.67 / 347 | 5.91 / 150 | .75 / 19 | 31 / 14 |
| TXS30PLS000 | 3.00 / 76 | 3.00 / 76 | 9.24 / 235 | 5.00 / 127 | 8.60 / 218 | 16.06 / 408 | 18.20 / 462 | 8.03 / 204 | 1.00 / 25 | 53 / 24 |
| TXS35PLS000 | 3.50 / 89 | 3.50 / 89 | 11.49 / 292 | 5.00 / 127 | 8.82 / 224 | 16.06 / 408 | 18.61 / 473 | 8.03 / 204 | 1.00 / 25 | 61 / 28 |
| TXS40PLS000 | 4.00 / 102 | 4.00 / 102 | 15.49 / 393 | 5.00 / 127 | 9.37 / 238 | 16.06 / 408 | 19.46 / 494 | 8.03 / 204 | 1.00 / 25 | 75 / 34 |
| TXS45PLS000 | 4.50 / 114 | 4.50 / 114 | 12.49 / 317 | 4.55 / 116 | 11.32 / 288 | 19.38 / 492 | 23.32 / 592 | 9.69 / 246 | 1.45 / 37 | 80 / 37 |
| TXS50PLS000 | 5.00 / 127 | 5.00 / 127 | 16.49 / 419 | 4.55 / 116 | 11.54 / 293 | 19.38 / 492 | 23.79 / 604 | 9.69 / 246 | 1.45 / 37 | 97 / 44 |
| TXS60PLS000 | 6.00 / 152 | 6.00 / 152 | 22.49 / 571 | 4.55 / 116 | 11.98 / 304 | 19.38 / 492 | 24.73 / 628 | 9.69 / 246 | 1.45 / 37 | 124 / 57 |
| TXS70PLS000 | 8.00 / 203 | 8.00 / 203 | 15.41 / 391 | 6.55 / 166 | 16.87 / 428 | 26.50 / 673 | 34.12 / 867 | 13.25 / 337 | 1.45 / 37 | 140 / 64 |
| TXS80PLS000 | 8.00 / 203 | 8.00 / 203 | 24.33 / 618 | 6.55 / 166 | 16.87 / 428 | 26.50 / 673 | 34.12 / 867 | 13.25 / 337 | 1.45 / 37 | 216 / 98 |
| TXS100PLS000 | 10.00 / 254 | 10.00 / 254 | 30.08 / 764 | 6.25 / 159 | 21.28 / 541 | 34.00 / 864 | 43.34 / 1101 | 17.00 / 432 | 1.75 / 44 | 350 / 159 |
| TXS120PLS000 | 12.00 / 305 | 12.00 / 305 | 36.08 / 916 | 5.75 / 146 | 24.70 / 627 | 40.00 / 1016 | 50.76 / 1289 | 20.00 / 508 | 2.25 / 57 | 511 / 232 |

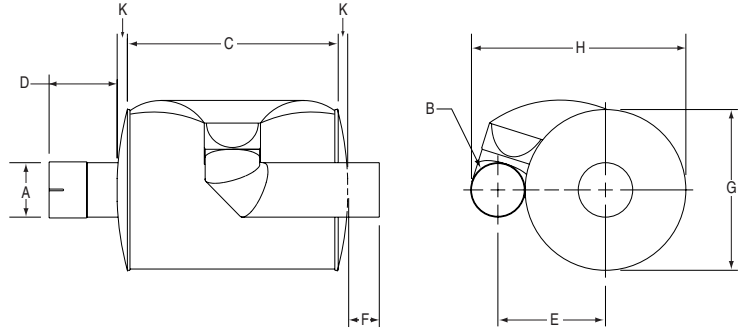


Engine Exhaust Silencers

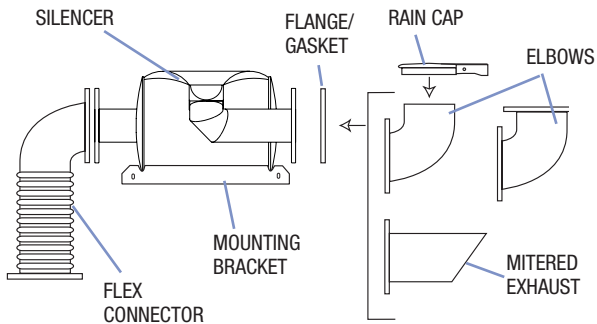
TS RESIDENTIAL GRADE — “TR” MODEL

Standard Features

- Typical Insertion Loss = 22 — 28 dB(A)
(Actual Insertion Loss May Vary Per Application)
- Compact Spiral Chamber Design
- Low Back Pressure
- Aluminized Steel Construction
- Low Weight
- Standard Slip-Fit Connections
- Standard High Temp Finish
- Complete Line of Accessories and Mounting Brackets
- Stainless Steel Construction & Factory Customization Available

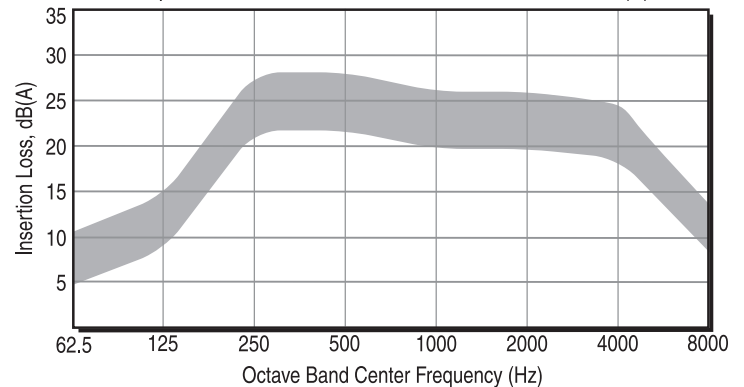


Engine Exhaust Silencer Shown with Optional Accessories



Not pictured:
Insulation Blanket

Representative Cowl Insertion Loss - TS Series dB(A)



Dimensions in Inches/Millimeters, Weight in Pounds/Kilograms

| Part No. | A inch / mm | B inch / mm | C inch / mm | D inch / mm | E inch / mm | F inch / mm | G inch / mm | H inch / mm | K inch / mm | Weight pounds / kg |
|-------------|----------------|----------------|----------------|----------------|----------------|----------------|----------------|----------------|----------------|-----------------------|
| TS15TRS000 | 1.50 / 38 | 1.50 / 38 | 5.24 / 133 | 2.50 / 64 | 4.34 / 110 | 2.07 / 53 | 7.18 / 182 | 8.68 / 220 | .50 / 13 | 11 / 5 |
| TS20TRS000 | 2.00 / 51 | 2.00 / 51 | 7.24 / 184 | 3.50 / 89 | 4.59 / 117 | 2.07 / 53 | 7.18 / 182 | 9.18 / 223 | .50 / 13 | 15 / 7 |
| TS25TRS000 | 2.50 / 64 | 2.50 / 64 | 8.24 / 209 | 3.50 / 89 | 5.66 / 144 | 2.07 / 53 | 8.81 / 224 | 11.31 / 287 | .50 / 13 | 20 / 9 |
| TS30TRS000 | 3.00 / 76 | 3.00 / 76 | 9.24 / 235 | 5.25 / 133 | 7.41 / 188 | 2.07 / 53 | 11.81 / 300 | 14.81 / 376 | .75 / 19 | 32 / 15 |
| TS35TRS000 | 3.50 / 89 | 3.50 / 89 | 11.49 / 292 | 5.25 / 133 | 7.66 / 195 | 2.26 / 57 | 11.81 / 300 | 15.31 / 389 | .75 / 19 | 38 / 18 |
| TS40TRS000 | 4.00 / 102 | 4.00 / 102 | 15.49 / 393 | 5.25 / 133 | 7.91 / 201 | 2.35 / 60 | 11.81 / 300 | 15.81 / 402 | .75 / 19 | 47 / 22 |
| TS45TRS000 | 4.50 / 114 | 4.50 / 114 | 12.49 / 317 | 5.00 / 127 | 10.28 / 261 | 2.57 / 65 | 16.06 / 408 | 20.56 / 522 | 1.00 / 25 | 66 / 30 |
| TS50TRS000 | 5.00 / 127 | 5.00 / 127 | 16.49 / 419 | 5.00 / 127 | 10.53 / 267 | 2.57 / 65 | 16.06 / 408 | 21.06 / 535 | 1.00 / 25 | 74 / 34 |
| TS60TRS000 | 6.00 / 152 | 6.00 / 152 | 22.49 / 571 | 5.00 / 127 | 11.03 / 280 | 2.57 / 65 | 16.06 / 408 | 22.06 / 580 | 1.00 / 25 | 94 / 43 |
| TS70TRS000 | 8.00 / 203 | 8.00 / 203 | 15.35 / 390 | 6.55 / 166 | 15.00 / 381 | 3.97 / 101 | 22.00 / 559 | 30.00 / 762 | 1.45 / 37 | 105 / 48 |
| TS80TRS000 | 8.00 / 203 | 8.00 / 203 | 24.27 / 616 | 6.55 / 166 | 15.00 / 381 | 3.97 / 101 | 22.00 / 559 | 30.00 / 762 | 1.45 / 37 | 162 / 74 |
| TS100TRS000 | 10.00 / 254 | 10.00 / 254 | 30.08 / 764 | 6.25 / 159 | 19.00 / 483 | 2.62 / 87 | 28.00 / 711 | 38.00 / 965 | 1.75 / 44 | 268 / 122 |
| TS120TRS000 | 12.00 / 305 | 12.00 / 305 | 36.08 / 916 | 5.75 / 146 | 22.50 / 572 | 3.71 / 94 | 33.00 / 838 | 45.00 / 1143 | 2.25 / 57 | 380 / 173 |

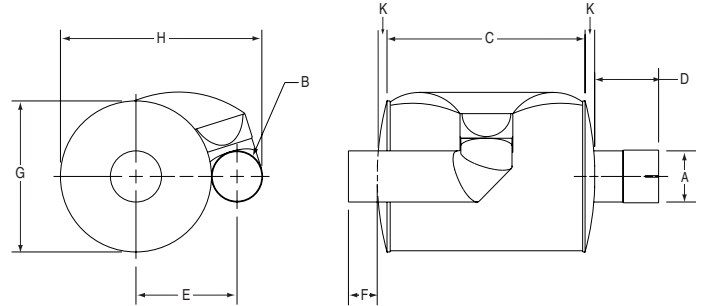


Engine Exhaust Silencers

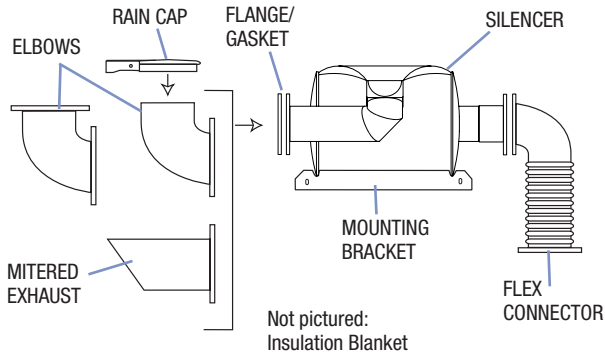
TS RESIDENTIAL GRADE — “TL” MODEL

Standard Features

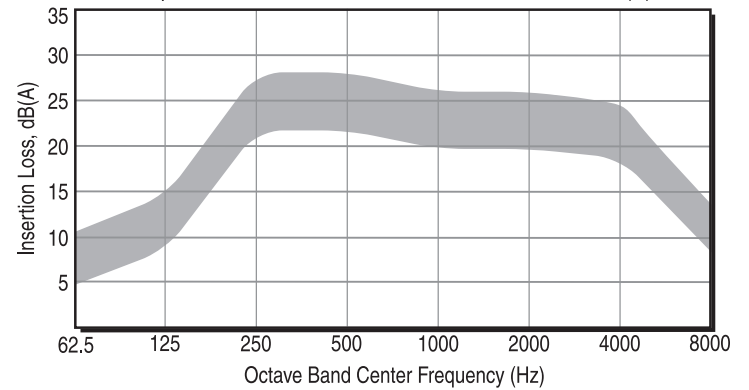
- Typical Insertion Loss = 22 — 28 dB(A)
(Actual Insertion Loss May Vary Per Application)
- Compact Spiral Chamber Design
- Low Back Pressure
- Aluminized Steel Construction
- Low Weight
- Standard Slip-Fit Connections
- Standard High Temp Finish
- Complete Line of Accessories and Mounting Brackets
- Stainless Steel Construction & Factory Customization Available



Engine Exhaust Silencer Shown with Optional Accessories



Representative Cowl Insertion Loss - TS Series dB(A)



Dimensions in Inches/Millimeters, Weight in Pounds/Kilograms

| Part No. | A inch / mm | B inch / mm | C inch / mm | D inch / mm | E inch / mm | F inch / mm | G inch / mm | H inch / mm | K inch / mm | Weight pounds / kg |
|-------------|----------------|----------------|----------------|----------------|----------------|----------------|----------------|----------------|----------------|-----------------------|
| TS15TLS000 | 1.50 / 38 | 1.50 / 38 | 5.24 / 133 | 2.50 / 64 | 4.34 / 110 | 2.07 / 53 | 7.18 / 182 | 8.68 / 220 | .50 / 13 | 11 / 5 |
| TS20TLS000 | 2.00 / 51 | 2.00 / 51 | 7.24 / 184 | 3.50 / 89 | 4.59 / 117 | 2.07 / 53 | 7.18 / 182 | 9.18 / 223 | .50 / 13 | 15 / 7 |
| TS25TLS000 | 2.50 / 64 | 2.50 / 64 | 8.24 / 209 | 3.50 / 89 | 5.66 / 144 | 2.07 / 53 | 8.81 / 224 | 11.31 / 287 | .50 / 13 | 20 / 9 |
| TS30TLS000 | 3.00 / 76 | 3.00 / 76 | 9.24 / 235 | 5.25 / 133 | 7.41 / 188 | 2.07 / 53 | 11.81 / 300 | 14.81 / 376 | .75 / 19 | 32 / 15 |
| TS35TLS000 | 3.50 / 89 | 3.50 / 89 | 11.49 / 292 | 5.25 / 133 | 7.66 / 195 | 2.26 / 57 | 11.81 / 300 | 15.31 / 389 | .75 / 19 | 38 / 18 |
| TS40TLS000 | 4.00 / 102 | 4.00 / 102 | 15.49 / 393 | 5.25 / 133 | 7.91 / 201 | 2.35 / 60 | 11.81 / 300 | 15.81 / 402 | .75 / 19 | 47 / 22 |
| TS45TLS000 | 4.50 / 114 | 4.50 / 114 | 12.49 / 317 | 5.00 / 127 | 10.28 / 261 | 2.57 / 65 | 16.06 / 408 | 20.56 / 522 | 1.00 / 25 | 66 / 30 |
| TS50TLS000 | 5.00 / 127 | 5.00 / 127 | 16.49 / 419 | 5.00 / 127 | 10.53 / 267 | 2.57 / 65 | 16.06 / 408 | 21.06 / 535 | 1.00 / 25 | 74 / 34 |
| TS60TLS000 | 6.00 / 152 | 6.00 / 152 | 22.49 / 571 | 5.00 / 127 | 11.03 / 280 | 2.57 / 65 | 16.06 / 408 | 22.06 / 580 | 1.00 / 25 | 94 / 43 |
| TS70TLS000 | 8.00 / 203 | 8.00 / 203 | 15.35 / 390 | 6.55 / 166 | 15.00 / 381 | 3.97 / 101 | 22.00 / 559 | 30.00 / 762 | 1.45 / 37 | 105 / 48 |
| TS80TLS000 | 8.00 / 203 | 8.00 / 203 | 24.27 / 616 | 6.55 / 166 | 15.00 / 381 | 3.97 / 101 | 22.00 / 559 | 30.00 / 762 | 1.45 / 37 | 162 / 74 |
| TS100TLS000 | 10.00 / 254 | 10.00 / 254 | 30.08 / 764 | 6.25 / 159 | 19.00 / 483 | 2.62 / 87 | 28.00 / 711 | 38.00 / 965 | 1.75 / 44 | 268 / 122 |
| TS120TLS000 | 12.00 / 305 | 12.00 / 305 | 36.08 / 916 | 5.75 / 146 | 22.50 / 572 | 3.71 / 94 | 33.00 / 838 | 45.00 / 1143 | 2.25 / 57 | 380 / 173 |

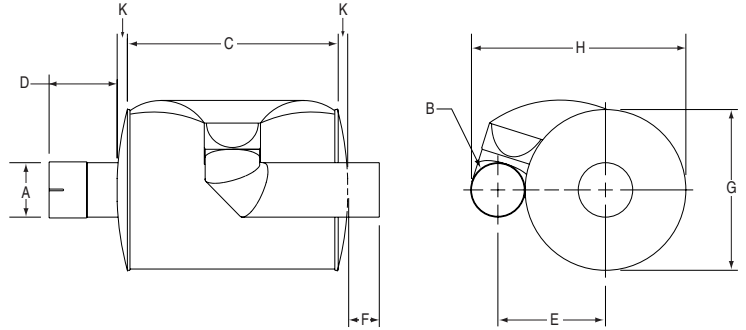


Engine Exhaust Silencers

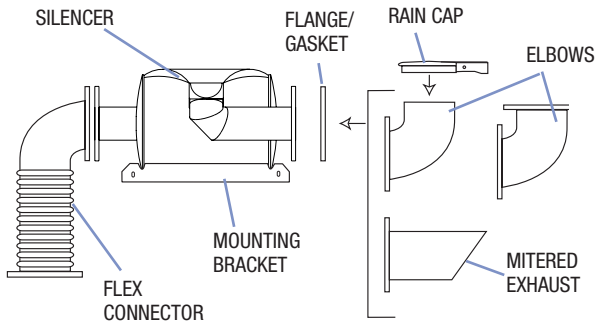
TXS CRITICAL GRADE — “TR” MODEL

Standard Features

- Typical Insertion Loss = 28 — 33 dB(A)
(Actual Insertion Loss May Vary Per Application)
- Compact Spiral Chamber Design
- Low Back Pressure
- Aluminized Steel Construction
- Low Weight
- Standard Slip-Fit Connections
- Standard High Temp Finish
- Complete Line of Accessories and Mounting Brackets
- Stainless Steel Construction & Factory Customization Available

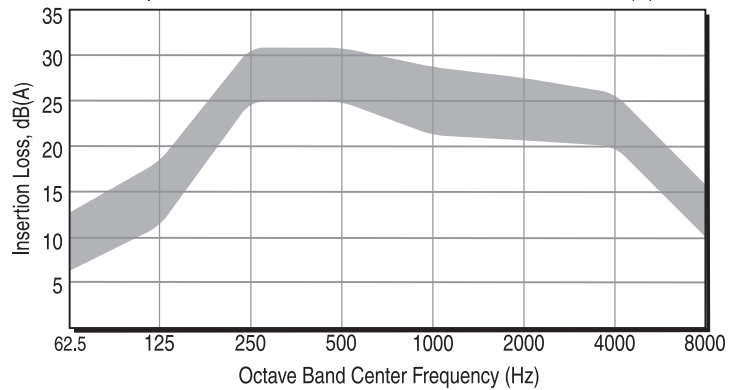


Engine Exhaust Silencer Shown with Optional Accessories



Not pictured:
Insulation Blanket

Representative Cowl Insertion Loss - TXS Series dB(A)



Dimensions in Inches/Millimeters, Weight in Pounds/Kilograms

| Part No. | A inch / mm | B inch / mm | C inch / mm | D inch / mm | E inch / mm | F inch / mm | G inch / mm | H inch / mm | K inch / mm | Weight pounds / kg |
|--------------|----------------|----------------|----------------|----------------|----------------|----------------|----------------|----------------|----------------|-----------------------|
| TXS15TRS000 | 1.50 / 38 | 1.50 / 38 | 5.24 / 133 | 2.50 / 64 | 5.19 / 132 | 2.07 / 53 | 8.81 / 224 | 10.38 / 264 | .50 / 13 | 14 / 7 |
| TXS20TRS000 | 2.00 / 51 | 2.00 / 51 | 7.24 / 184 | 3.50 / 89 | 5.41 / 137 | 2.07 / 53 | 8.81 / 224 | 10.81 / 275 | .50 / 13 | 19 / 9 |
| TXS25TRS000 | 2.50 / 64 | 2.50 / 64 | 8.24 / 209 | 3.25 / 83 | 7.16 / 182 | 1.82 / 46 | 11.81 / 300 | 14.31 / 363 | .75 / 19 | 32 / 15 |
| TXS30TRS000 | 3.00 / 76 | 3.00 / 76 | 9.24 / 235 | 5.00 / 127 | 9.53 / 242 | 2.07 / 53 | 16.06 / 408 | 19.06 / 484 | 1.00 / 25 | 52 / 24 |
| TXS35TRS000 | 3.50 / 89 | 3.50 / 89 | 11.49 / 292 | 5.00 / 127 | 9.78 / 248 | 2.07 / 53 | 16.06 / 408 | 19.56 / 497 | 1.00 / 25 | 63 / 29 |
| TXS40TRS000 | 4.00 / 102 | 4.00 / 102 | 15.49 / 393 | 5.00 / 127 | 10.03 / 255 | 2.07 / 53 | 16.06 / 408 | 20.06 / 510 | 1.00 / 25 | 77 / 35 |
| TXS45TRS000 | 4.50 / 114 | 4.50 / 114 | 12.49 / 317 | 4.55 / 116 | 11.94 / 303 | 1.46 / 37 | 19.38 / 492 | 23.88 / 607 | 1.45 / 37 | 81 / 37 |
| TXS50TRS000 | 5.00 / 127 | 5.00 / 127 | 16.49 / 419 | 4.55 / 116 | 12.19 / 310 | 2.12 / 54 | 19.38 / 492 | 24.38 / 619 | 1.45 / 37 | 98 / 45 |
| TXS60TRS000 | 6.00 / 152 | 6.00 / 152 | 22.49 / 571 | 4.55 / 116 | 12.69 / 322 | 2.05 / 52 | 19.38 / 492 | 25.38 / 645 | 1.45 / 37 | 137 / 63 |
| TXS70TRS000 | 8.00 / 203 | 8.00 / 203 | 15.41 / 391 | 6.55 / 166 | 17.25 / 438 | 3.97 / 101 | 26.50 / 673 | 34.50 / 876 | 1.45 / 37 | 147 / 67 |
| TXS80TRS000 | 8.00 / 203 | 8.00 / 203 | 24.33 / 618 | 6.55 / 166 | 17.25 / 438 | 3.97 / 101 | 26.50 / 673 | 34.50 / 876 | 1.45 / 37 | 227 / 103 |
| TXS100TRS000 | 10.00 / 254 | 10.00 / 254 | 30.08 / 764 | 6.25 / 159 | 22.00 / 559 | 2.62 / 67 | 34.00 / 864 | 44.00 / 1118 | 1.75 / 44 | 375 / 171 |

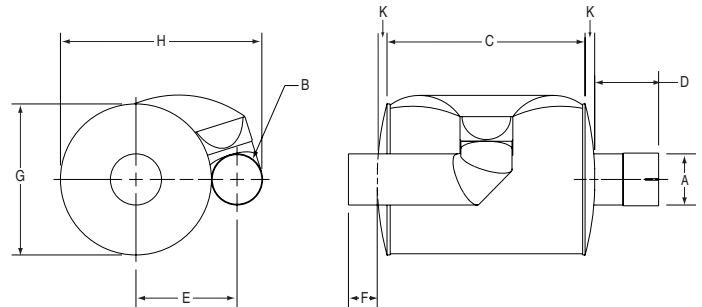


Engine Exhaust Silencers

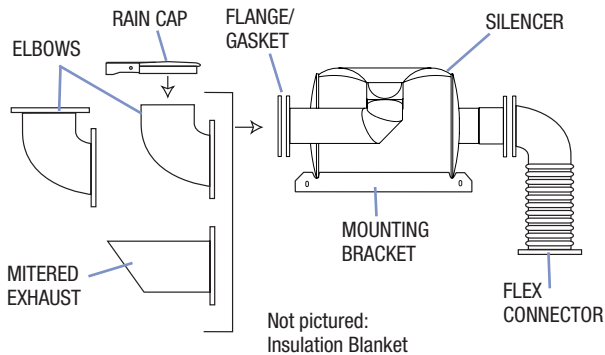
TXS CRITICAL GRADE — “TL” MODEL

Standard Features

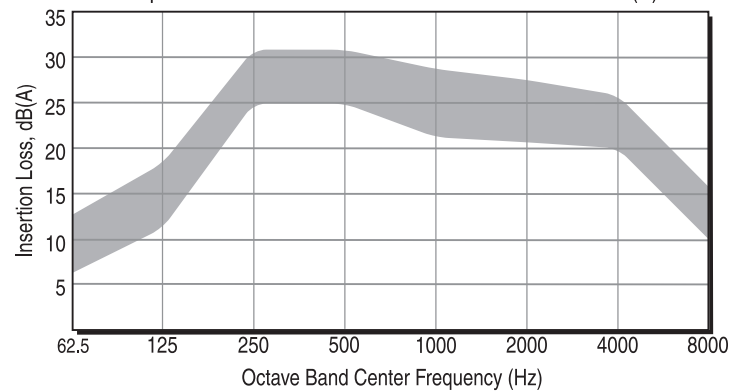
- Typical Insertion Loss = 28 — 33 dB(A)
(Actual Insertion Loss May Vary Per Application)
- Compact Spiral Chamber Design
- Low Back Pressure
- Aluminized Steel Construction
- Low Weight
- Standard Slip-Fit Connections
- Standard High Temp Finish
- Complete Line of Accessories and Mounting Brackets
- Stainless Steel Construction & Factory Customization Available



Engine Exhaust Silencer Shown with Optional Accessories



Representative Cowl Insertion Loss - TXS Series dB(A)



Dimensions in Inches/Millimeters, Weight in Pounds/Kilograms

| Part No. | A inch / mm | B inch / mm | C inch / mm | D inch / mm | E inch / mm | F inch / mm | G inch / mm | H inch / mm | K inch / mm | Weight pounds / kg |
|--------------|----------------|----------------|----------------|----------------|----------------|----------------|----------------|----------------|----------------|-----------------------|
| TXS15TLS000 | 1.50 / 38 | 1.50 / 38 | 5.24 / 133 | 2.50 / 64 | 5.19 / 132 | 2.07 / 53 | 8.81 / 224 | 10.38 / 264 | .50 / 13 | 14 / 7 |
| TXS20TLS000 | 2.00 / 51 | 2.00 / 51 | 7.24 / 184 | 3.50 / 89 | 5.41 / 137 | 2.07 / 53 | 8.81 / 224 | 10.81 / 275 | .50 / 13 | 19 / 9 |
| TXS25TLS000 | 2.50 / 64 | 2.50 / 64 | 8.24 / 209 | 3.25 / 83 | 7.16 / 182 | 1.82 / 46 | 11.81 / 300 | 14.31 / 363 | .75 / 19 | 32 / 15 |
| TXS30TLS000 | 3.00 / 76 | 3.00 / 76 | 9.24 / 235 | 5.00 / 127 | 9.53 / 242 | 2.07 / 53 | 16.06 / 408 | 19.06 / 484 | 1.00 / 25 | 52 / 24 |
| TXS35TLS000 | 3.50 / 89 | 3.50 / 89 | 11.49 / 292 | 5.00 / 127 | 9.78 / 248 | 2.07 / 53 | 16.06 / 408 | 19.56 / 497 | 1.00 / 25 | 63 / 29 |
| TXS40TLS000 | 4.00 / 102 | 4.00 / 102 | 15.49 / 393 | 5.00 / 127 | 10.03 / 255 | 2.07 / 53 | 16.06 / 408 | 20.06 / 510 | 1.00 / 25 | 77 / 35 |
| TXS45TLS000 | 4.50 / 114 | 4.50 / 114 | 12.49 / 317 | 4.55 / 116 | 11.94 / 303 | 1.46 / 37 | 19.38 / 492 | 23.38 / 607 | 1.45 / 37 | 81 / 37 |
| TXS50TLS000 | 5.00 / 127 | 5.00 / 127 | 16.49 / 419 | 4.55 / 116 | 12.19 / 310 | 2.12 / 54 | 19.38 / 492 | 24.38 / 619 | 1.45 / 37 | 98 / 45 |
| TXS60TLS000 | 6.00 / 152 | 6.00 / 152 | 22.49 / 571 | 4.55 / 116 | 12.69 / 322 | 2.05 / 52 | 19.38 / 492 | 25.38 / 645 | 1.45 / 37 | 137 / 63 |
| TXS70TLS000 | 8.00 / 203 | 8.00 / 203 | 15.41 / 391 | 6.55 / 166 | 17.25 / 438 | 3.97 / 101 | 26.50 / 673 | 34.50 / 876 | 1.45 / 37 | 147 / 67 |
| TXS80TLS000 | 8.00 / 203 | 8.00 / 203 | 24.33 / 618 | 6.55 / 166 | 17.25 / 438 | 3.97 / 101 | 26.50 / 673 | 34.50 / 876 | 1.45 / 37 | 227 / 103 |
| TXS100TLS000 | 10.00 / 254 | 10.00 / 254 | 30.08 / 764 | 6.25 / 159 | 22.00 / 559 | 2.62 / 67 | 34.00 / 864 | 44.00 / 1118 | 1.75 / 44 | 375 / 171 |
| TXS120TLS000 | 12.00 / 305 | 12.00 / 305 | 36.08 / 916 | 5.75 / 146 | 26.00 / 660 | 3.71 / 94 | 40.00 / 1016 | 52.00 / 1321 | 2.25 / 57 | 532 / 242 |

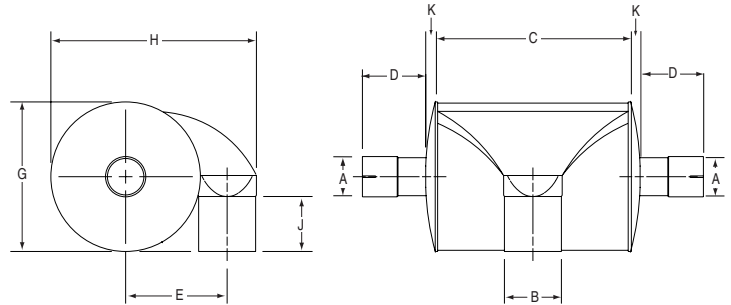


Engine Exhaust Silencers

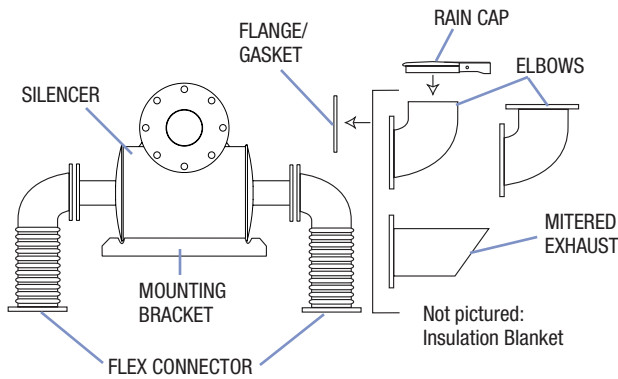
TS RESIDENTIAL GRADE — “PV” MODEL

Standard Features

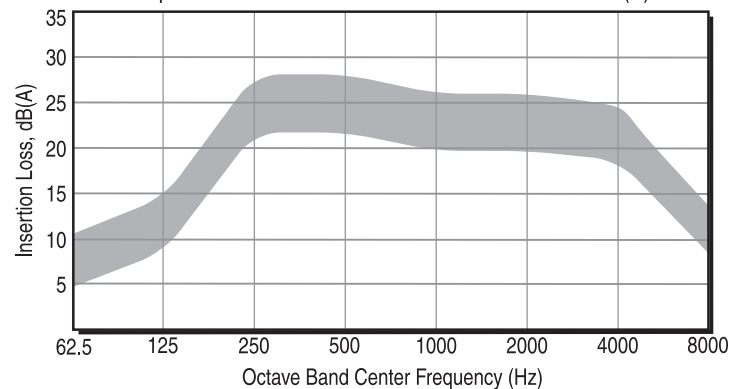
- Typical Insertion Loss = 22 — 28 dB(A)
(Actual Insertion Loss May Vary Per Application)
- Compact Spiral Chamber Design
- Low Back Pressure
- Aluminized Steel Construction
- Low Weight
- Standard Slip-Fit Connections
- Standard High Temp Finish
- Complete Line of Accessories and Mounting Brackets
- Stainless Steel Construction & Factory Customization Available



Engine Exhaust Silencer Shown with Optional Accessories



Representative Cowl Insertion Loss - TS Series dB(A)



Dimensions in Inches/Millimeters, Weight in Pounds/Kilograms

| Part No. | A inch / mm | B inch / mm | C inch / mm | D inch / mm | E inch / mm | G inch / mm | H inch / mm | J inch / mm | K inch / mm | Weight pounds / kg |
|---------------|----------------|----------------|----------------|----------------|----------------|----------------|----------------|----------------|----------------|-----------------------|
| TS20PV30S000 | 2.00 / 51 | 3.00 / 76 | 9.24 / 235 | 3.25 / 83 | 7.05 / 179 | 11.81 / 300 | 14.52 / 369 | 4.75 / 121 | .75 / 19 | 32 / 15 |
| TS25PV35S000 | 2.50 / 64 | 3.50 / 89 | 11.49 / 292 | 3.25 / 83 | 7.26 / 184 | 11.81 / 300 | 14.92 / 379 | 4.38 / 111 | .75 / 19 | 39 / 18 |
| TS30PV45S000 | 3.00 / 76 | 4.50 / 114 | 15.49 / 393 | 5.25 / 133 | 7.26 / 184 | 11.81 / 300 | 15.73 / 400 | 6.50 / 165 | .75 / 19 | 47 / 22 |
| TS35PV50S000 | 3.50 / 89 | 5.00 / 127 | 16.50 / 419 | 5.00 / 127 | 10.04 / 255 | 16.06 / 408 | 20.84 / 529 | 6.50 / 165 | 1.00 / 25 | 70 / 32 |
| TS40PV80S000 | 4.00 / 102 | 6.00 / 152 | 22.49 / 571 | 5.00 / 127 | 10.27 / 261 | 16.06 / 408 | 21.74 / 552 | 5.25 / 133 | 1.00 / 25 | 90 / 41 |
| TS45PV60S000 | 4.50 / 114 | 6.00 / 152 | 22.49 / 571 | 5.00 / 127 | 10.65 / 271 | 16.06 / 408 | 21.74 / 552 | 5.25 / 133 | 1.00 / 25 | 90 / 41 |
| TS50PV70S000 | 5.00 / 127 | 8.00 / 203 | 15.35 / 390 | 4.55 / 116 | 14.58 / 370 | 22.00 / 559 | 29.72 / 755 | 7.25 / 184 | 1.45 / 37 | 103 / 47 |
| TS50PV80S000 | 5.00 / 127 | 8.00 / 203 | 24.27 / 616 | 4.55 / 116 | 14.58 / 370 | 22.00 / 559 | 29.72 / 755 | 7.25 / 184 | 1.45 / 37 | 157 / 72 |
| TS60PV80S000 | 6.00 / 152 | 8.00 / 203 | 24.27 / 616 | 4.55 / 116 | 14.58 / 370 | 22.00 / 559 | 29.72 / 755 | 7.25 / 184 | 1.45 / 37 | 158 / 72 |
| TS80PV100S000 | 8.00 / 203 | 10.00 / 254 | 30.08 / 764 | 6.25 / 159 | 18.14 / 461 | 28.00 / 711 | 37.15 / 944 | 9.00 / 229 | 1.75 / 44 | 268 / 122 |
| TS80PV120S000 | 8.00 / 203 | 12.00 / 305 | 36.08 / 916 | 5.75 / 146 | 21.63 / 549 | 33.00 / 838 | 44.19 / 1122 | 10.38 / 264 | 2.25 / 57 | 380 / 173 |

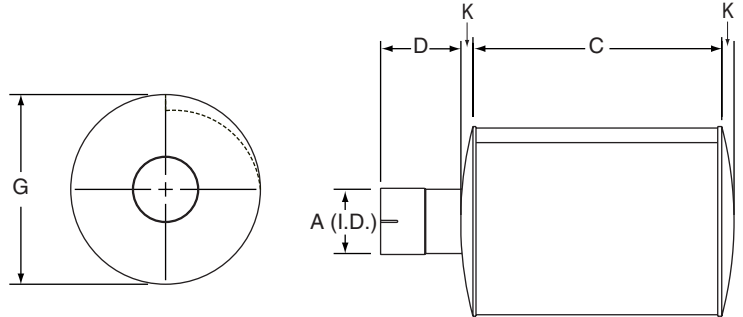


Engine Exhaust Silencers

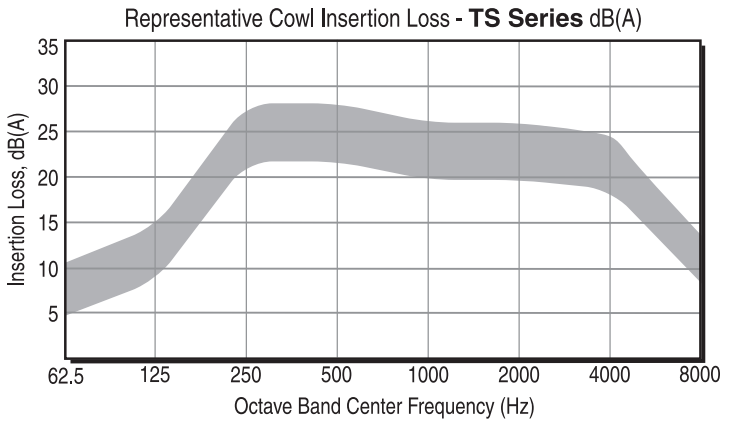
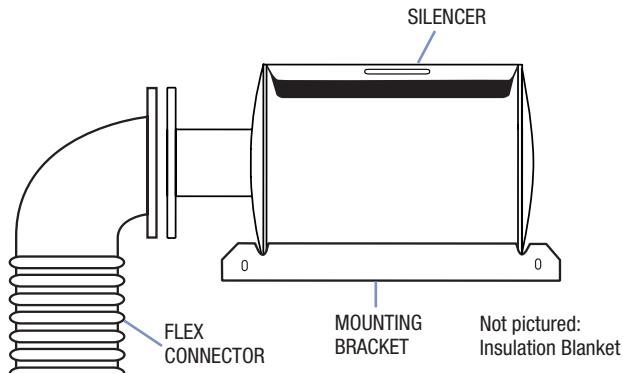
TS RESIDENTIAL GRADE — “SR” MODEL

Standard Features

- Typical Insertion Loss = 22 — 28 dB(A)
(Actual Insertion Loss May Vary Per Application)
- Compact Spiral Chamber Design
- Low Back Pressure
- Aluminized Steel Construction
- Low Weight
- Standard Slip-Fit Connections
- Standard High Temp Finish
- Complete Line of Accessories and Mounting Brackets
- Stainless Steel Construction & Factory Customization Available



Engine Exhaust Silencer Shown with Optional Accessories



Dimensions in Inches/Millimeters, Weight in Pounds/Kilograms

| Part No. | A inch / mm | C inch / mm | D inch / mm | G inch / mm | K inch / mm | Weight pounds / kg |
|------------|----------------|----------------|----------------|----------------|----------------|-----------------------|
| TS15SR000 | 1.50 / 38 | 5.24 / 133 | 2.50 / 64 | 7.18 / 182 | .50 / 13 | 10 / 5 |
| TS20SR000 | 2.00 / 51 | 7.24 / 184 | 3.50 / 89 | 7.18 / 182 | .50 / 13 | 14 / 7 |
| TS25SR000 | 2.50 / 64 | 8.24 / 209 | 3.50 / 89 | 8.81 / 224 | .50 / 13 | 16 / 8 |
| TS30SR000 | 3.00 / 76 | 9.24 / 235 | 5.25 / 133 | 11.81 / 300 | .75 / 19 | 32 / 15 |
| TS35SR000 | 3.50 / 89 | 11.49 / 292 | 5.25 / 133 | 11.81 / 300 | .75 / 19 | 35 / 16 |
| TS40SR000 | 4.00 / 102 | 15.49 / 393 | 5.25 / 133 | 11.81 / 300 | .75 / 19 | 46 / 21 |
| TS45SR000 | 4.50 / 114 | 12.49 / 317 | 5.00 / 127 | 16.06 / 408 | 1.00 / 25 | 56 / 26 |
| TS50SR000 | 5.00 / 127 | 16.49 / 419 | 5.00 / 127 | 16.06 / 408 | 1.00 / 25 | 70 / 32 |
| TS60SR000 | 6.00 / 152 | 22.49 / 571 | 5.00 / 127 | 16.06 / 408 | 1.00 / 25 | 90 / 41 |
| TS70SR000 | 8.00 / 203 | 15.35 / 390 | 6.55 / 166 | 22.00 / 559 | 1.45 / 37 | 100 / 46 |
| TS80SR000 | 8.00 / 203 | 24.27 / 616 | 6.55 / 166 | 22.00 / 559 | 1.45 / 37 | 150 / 68 |
| TS100SR000 | 10.00 / 254 | 30.08 / 764 | 6.25 / 159 | 28.00 / 711 | 1.75 / 44 | 230 / 105 |
| TS120SR000 | 12.00 / 305 | 36.08 / 916 | 5.75 / 146 | 33.00 / 838 | 2.25 / 57 | 330 / 150 |

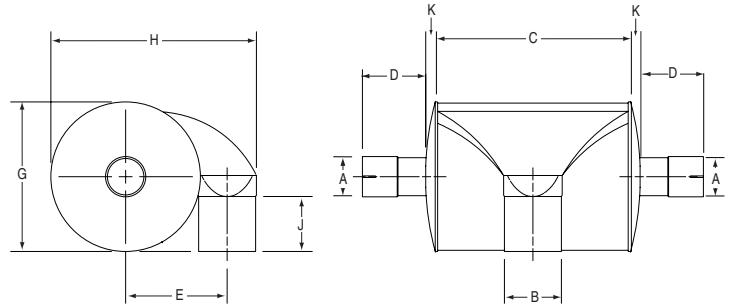


Engine Exhaust Silencers

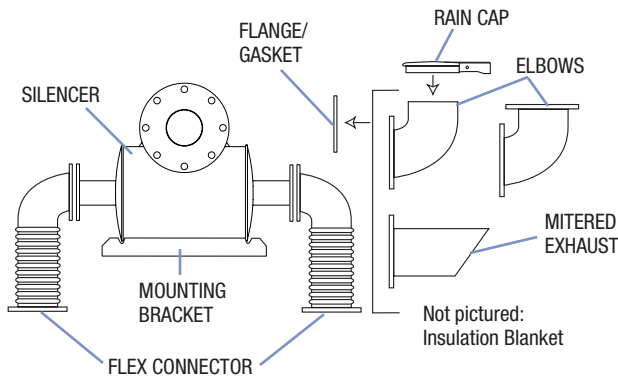
TXS CRITICAL GRADE — “PV” MODEL

Standard Features

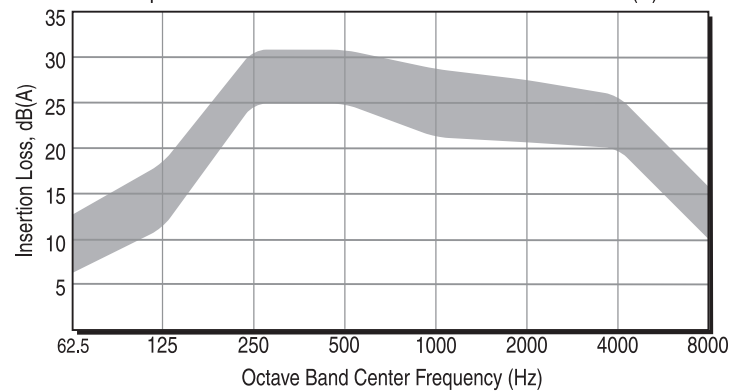
- Typical Insertion Loss = 28 — 33 dB(A)
(Actual Insertion Loss May Vary Per Application)
- Compact Spiral Chamber Design
- Low Back Pressure
- Aluminized Steel Construction
- Low Weight
- Standard Slip-Fit Connections
- Standard High Temp Finish
- Complete Line of Accessories and Mounting Brackets
- Stainless Steel Construction & Factory Customization Available



Engine Exhaust Silencer Shown with Optional Accessories



Representative Cowl Insertion Loss - TXS Series dB(A)



Dimensions in Inches/Millimeters, Weight in Pounds/Kilograms

| Part No. | A inch / mm | B inch / mm | C inch / mm | D inch / mm | E inch / mm | G inch / mm | H inch / mm | J inch / mm | K inch / mm | Weight pounds / kg |
|----------------|----------------|----------------|----------------|----------------|----------------|----------------|----------------|----------------|----------------|-----------------------|
| TXS20PV30S000 | 2.00 / 51 | 3.00 / 76 | 9.24 / 235 | 3.00 / 76 | 8.60 / 218 | 16.06 / 408 | 18.20 / 462 | 4.75 / 121 | 1.00 / 25 | 50 / 23 |
| TXS25PV35S000 | 2.50 / 64 | 3.50 / 89 | 11.49 / 292 | 3.00 / 76 | 8.82 / 224 | 16.06 / 408 | 18.61 / 473 | 4.38 / 111 | 1.00 / 25 | 62 / 29 |
| TXS30PV45S000 | 3.00 / 76 | 4.50 / 114 | 15.49 / 393 | 5.00 / 127 | 9.37 / 238 | 16.06 / 408 | 19.46 / 494 | 6.50 / 165 | 1.00 / 25 | 76 / 35 |
| TXS35PV50S000 | 3.50 / 89 | 5.00 / 127 | 16.50 / 419 | 4.55 / 116 | 11.32 / 288 | 19.38 / 492 | 23.79 / 604 | 6.50 / 165 | 1.45 / 37 | 97 / 44 |
| TXS40PV80S000 | 4.00 / 102 | 6.00 / 152 | 22.49 / 571 | 4.55 / 116 | 11.54 / 293 | 19.38 / 492 | 24.73 / 628 | 5.25 / 133 | 1.45 / 37 | 125 / 57 |
| TXS45PV60S000 | 4.50 / 114 | 6.00 / 152 | 22.49 / 571 | 4.55 / 116 | 11.98 / 304 | 19.38 / 492 | 24.73 / 628 | 5.25 / 133 | 1.45 / 37 | 126 / 58 |
| TXS50PV70S000 | 5.00 / 127 | 8.00 / 203 | 15.41 / 391 | 4.55 / 116 | 16.87 / 428 | 26.50 / 673 | 34.12 / 867 | 9.25 / 235 | 1.45 / 37 | 150 / 68 |
| TXS50PV80S000 | 5.00 / 127 | 8.00 / 203 | 24.33 / 618 | 4.55 / 116 | 16.87 / 428 | 26.50 / 673 | 34.12 / 867 | 9.25 / 235 | 1.45 / 37 | 230 / 105 |
| TXS60PV80S000 | 6.00 / 152 | 8.00 / 203 | 24.33 / 618 | 4.55 / 116 | 16.87 / 428 | 26.50 / 673 | 34.12 / 867 | 9.25 / 235 | 1.45 / 37 | 230 / 105 |
| TXS80PV100S000 | 8.00 / 203 | 10.00 / 254 | 30.08 / 764 | 6.25 / 159 | 21.28 / 541 | 34.00 / 864 | 43.34 / 1101 | 11.75 / 298 | 1.75 / 44 | 375 / 171 |
| TXS80PV120S000 | 8.00 / 203 | 12.00 / 305 | 36.08 / 916 | 5.75 / 146 | 24.70 / 627 | 40.00 / 1016 | 50.76 / 1289 | 13.62 / 346 | 2.25 / 57 | 532 / 242 |

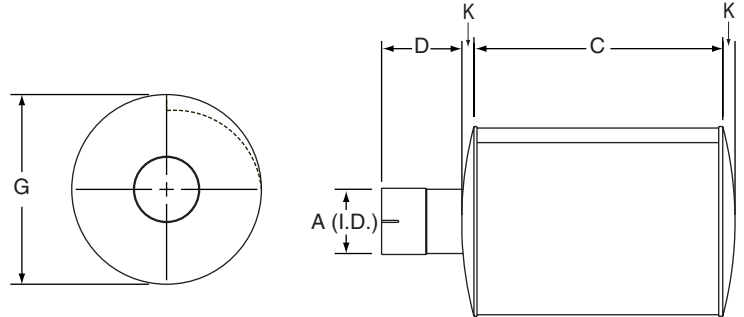


Engine Exhaust Silencers

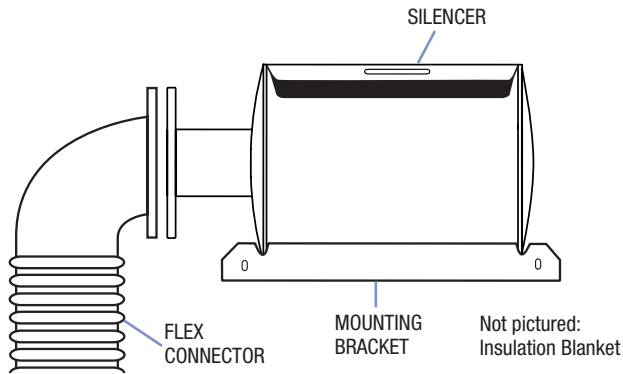
TXS CRITICAL GRADE — “SR” MODEL

Standard Features

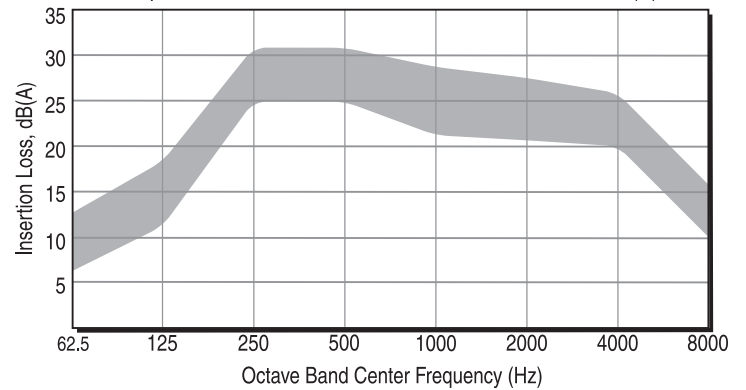
- Typical Insertion Loss = 28 — 33 dB(A)
(Actual Insertion Loss May Vary Per Application)
- Compact Spiral Chamber Design
- Low Back Pressure
- Aluminized Steel Construction
- Low Weight
- Standard Slip-Fit Connections
- Standard High Temp Finish
- Complete Line of Accessories and Mounting Brackets
- Stainless Steel Construction & Factory Customization Available



Engine Exhaust Silencer Shown with Optional Accessories



Representative Cowl Insertion Loss - TXS Series dB(A)



Dimensions in Inches/Millimeters, Weight in Pounds/Kilograms

| Part No. | A inch / mm | C inch / mm | D inch / mm | G inch / mm | K inch / mm | Weight pounds / kg |
|-------------|----------------|----------------|----------------|----------------|----------------|-----------------------|
| TXS15SR000 | 1.50 / 38 | 5.24 / 133 | 2.50 / 64 | 8.81 / 224 | .50 / 13 | 11 / 5 |
| TXS20SR000 | 2.00 / 51 | 7.24 / 184 | 3.50 / 89 | 8.81 / 224 | .50 / 13 | 17 / 8 |
| TXS25SR000 | 2.50 / 64 | 8.24 / 209 | 3.25 / 83 | 11.81 / 300 | .75 / 19 | 28 / 13 |
| TXS30SR000 | 3.00 / 76 | 9.24 / 235 | 5.00 / 127 | 16.06 / 408 | 1.00 / 25 | 52 / 24 |
| TXS35SR000 | 3.50 / 89 | 11.49 / 292 | 5.00 / 127 | 16.06 / 408 | 1.00 / 25 | 61 / 28 |
| TXS40SR000 | 4.00 / 102 | 15.49 / 393 | 5.00 / 127 | 16.06 / 408 | 1.00 / 25 | 75 / 34 |
| TXS45SR000 | 4.50 / 114 | 12.49 / 317 | 4.55 / 116 | 19.38 / 492 | 1.45 / 37 | 71 / 33 |
| TXS50SR000 | 5.00 / 127 | 16.49 / 419 | 4.55 / 116 | 19.38 / 492 | 1.45 / 37 | 96 / 44 |
| TXS60SR000 | 6.00 / 152 | 22.49 / 571 | 4.55 / 116 | 19.38 / 492 | 1.45 / 37 | 120 / 55 |
| TXS70SR000 | 8.00 / 203 | 15.41 / 391 | 6.55 / 166 | 26.50 / 673 | 1.45 / 37 | 140 / 64 |
| TXS80SR000 | 8.00 / 203 | 24.33 / 618 | 6.55 / 166 | 26.50 / 673 | 1.45 / 37 | 220 / 100 |
| TXS100SR000 | 10.00 / 254 | 30.08 / 764 | 6.25 / 159 | 34.00 / 864 | 1.75 / 44 | 330 / 150 |
| TXS120SR000 | 12.00 / 305 | 36.08 / 916 | 5.75 / 146 | 40.00 / 1016 | 2.25 / 57 | 475 / 216 |

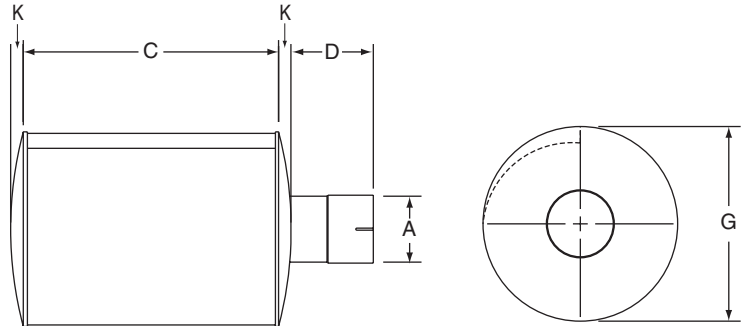


Engine Exhaust Silencers

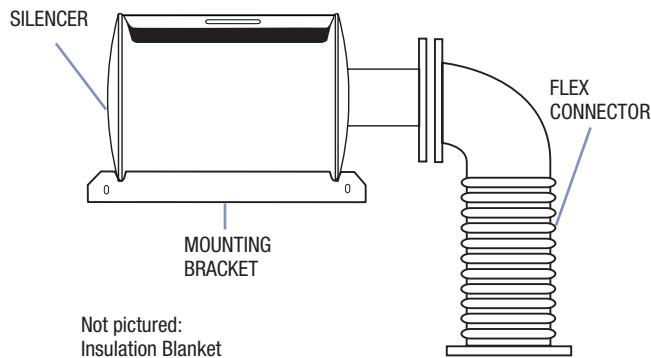
TS RESIDENTIAL GRADE — “SL” MODEL

Standard Features

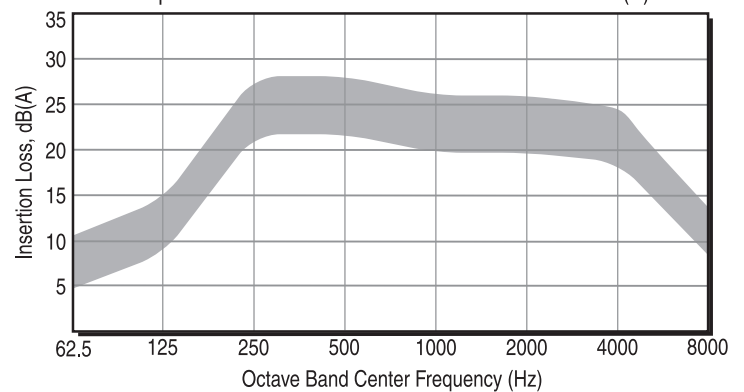
- Typical Insertion Loss = 22 — 28 dB(A)
(Actual Insertion Loss May Vary Per Application)
- Compact Spiral Chamber Design
- Low Back Pressure
- Aluminized Steel Construction
- Low Weight
- Standard Slip-Fit Connections
- Standard High Temp Finish
- Complete Line of Accessories and Mounting Brackets
- Stainless Steel Construction & Factory Customization Available



Engine Exhaust Silencer Shown with Optional Accessories



Representative Cowl Insertion Loss - TS Series dB(A)



Dimensions in Inches/Millimeters, Weight in Pounds/Kilograms

| Part No. | A inch / mm | C inch / mm | D inch / mm | G inch / mm | K inch / mm | Weight pounds / kg |
|------------|----------------|----------------|----------------|----------------|----------------|-----------------------|
| TS15SL000 | 1.50 / 38 | 5.24 / 133 | 2.50 / 64 | 7.18 / 182 | .50 / 13 | 10 / 5 |
| TS20SL000 | 2.00 / 51 | 7.24 / 184 | 3.50 / 89 | 7.18 / 182 | .50 / 13 | 14 / 7 |
| TS25SL000 | 2.50 / 64 | 8.24 / 209 | 3.50 / 89 | 8.81 / 224 | .50 / 13 | 16 / 8 |
| TS30SL000 | 3.00 / 76 | 9.24 / 235 | 5.25 / 133 | 11.81 / 300 | .75 / 19 | 32 / 15 |
| TS35SL000 | 3.50 / 89 | 11.49 / 292 | 5.25 / 133 | 11.81 / 300 | .75 / 19 | 35 / 16 |
| TS40SL000 | 4.00 / 102 | 15.49 / 393 | 5.25 / 133 | 11.81 / 300 | .75 / 19 | 46 / 21 |
| TS45SL000 | 4.50 / 114 | 12.49 / 317 | 5.00 / 127 | 16.06 / 408 | 1.00 / 25 | 56 / 26 |
| TS50SL000 | 5.00 / 127 | 16.49 / 419 | 5.00 / 127 | 16.06 / 408 | 1.00 / 25 | 70 / 32 |
| TS60SL000 | 6.00 / 152 | 22.49 / 571 | 5.00 / 127 | 16.06 / 408 | 1.00 / 25 | 90 / 41 |
| TS70SL000 | 8.00 / 203 | 15.35 / 390 | 6.55 / 166 | 22.00 / 559 | 1.45 / 37 | 100 / 46 |
| TS80SL000 | 8.00 / 203 | 24.27 / 616 | 6.55 / 166 | 22.00 / 559 | 1.45 / 37 | 150 / 68 |
| TS100SL000 | 10.00 / 254 | 30.08 / 764 | 6.25 / 159 | 28.00 / 711 | 1.75 / 44 | 230 / 105 |
| TS120SL000 | 12.00 / 305 | 36.08 / 916 | 5.75 / 146 | 33.00 / 838 | 2.25 / 57 | 330 / 150 |

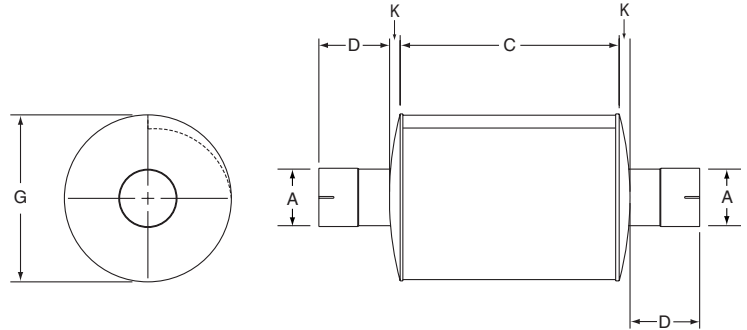


Engine Exhaust Silencers

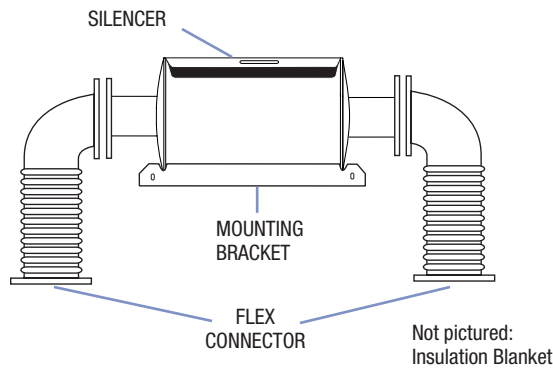
TS RESIDENTIAL GRADE — “SV” MODEL

Standard Features

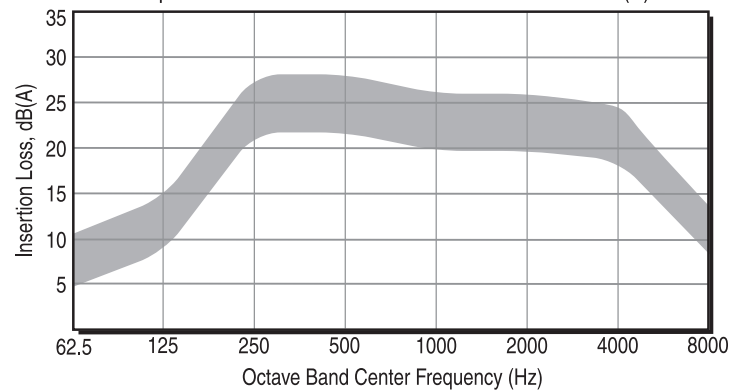
- Typical Insertion Loss = 22 — 28 dB(A)
(Actual Insertion Loss May Vary Per Application)
- Compact Spiral Chamber Design
- Low Back Pressure
- Aluminized Steel Construction
- Low Weight
- Standard Slip-Fit Connections
- Standard High Temp Finish
- Complete Line of Accessories and Mounting Brackets
- Stainless Steel Construction & Factory Customization Available



Engine Exhaust Silencer Shown with Optional Accessories



Representative Cowl Insertion Loss - TS Series dB(A)



Dimensions in Inches/Millimeters, Weight in Pounds/Kilograms

| Part No. | A inch / mm | C inch / mm | D inch / mm | G inch / mm | K inch / mm | Weight pounds / kg |
|--------------|----------------|----------------|----------------|----------------|----------------|-----------------------|
| TS20SV000 | 2.00 / 51 | 9.24 / 235 | 3.25 / 83 | 11.81 / 300 | .75 / 19 | 32 / 15 |
| TS25SV000 | 2.50 / 64 | 11.49 / 292 | 3.25 / 83 | 11.81 / 300 | .75 / 19 | 39 / 18 |
| TS30SV000 | 3.00 / 76 | 15.49 / 393 | 5.25 / 133 | 11.81 / 300 | .75 / 19 | 47 / 22 |
| TS35SV000 | 3.50 / 89 | 16.50 / 419 | 5.00 / 127 | 16.06 / 408 | 1.00 / 25 | 70 / 32 |
| TS40SV000 | 4.00 / 102 | 22.49 / 571 | 5.00 / 127 | 16.06 / 408 | 1.00 / 25 | 90 / 41 |
| TS45SV000 | 4.50 / 114 | 22.49 / 571 | 5.00 / 127 | 16.06 / 408 | 1.00 / 25 | 90 / 41 |
| TS50SV-7000 | 5.00 / 127 | 15.35 / 390 | 4.55 / 116 | 22.00 / 559 | 1.45 / 37 | 103 / 47 |
| TS50SV-8000 | 5.00 / 127 | 24.27 / 616 | 4.55 / 116 | 22.00 / 559 | 1.45 / 37 | 150 / 68 |
| TS60SV-8000 | 6.00 / 152 | 24.27 / 616 | 4.55 / 116 | 22.00 / 559 | 1.45 / 37 | 155 / 71 |
| TS80SV-10000 | 8.00 / 203 | 30.08 / 764 | 6.25 / 159 | 28.00 / 711 | 1.75 / 44 | 230 / 105 |
| TS80SV-12000 | 8.00 / 203 | 36.06 / 916 | 5.75 / 146 | 33.00 / 838 | 2.25 / 57 | 330 / 150 |

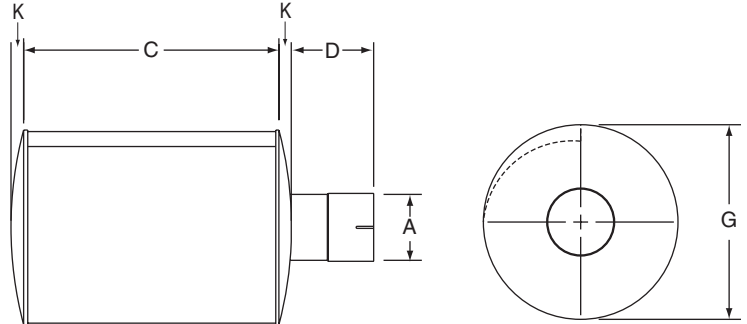


Engine Exhaust Silencers

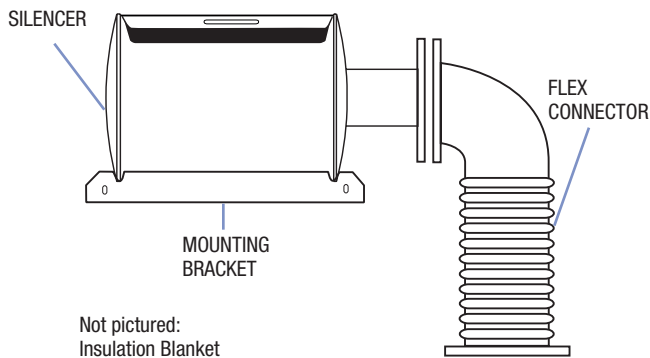
TXS CRITICAL GRADE — “SL” MODEL

Standard Features

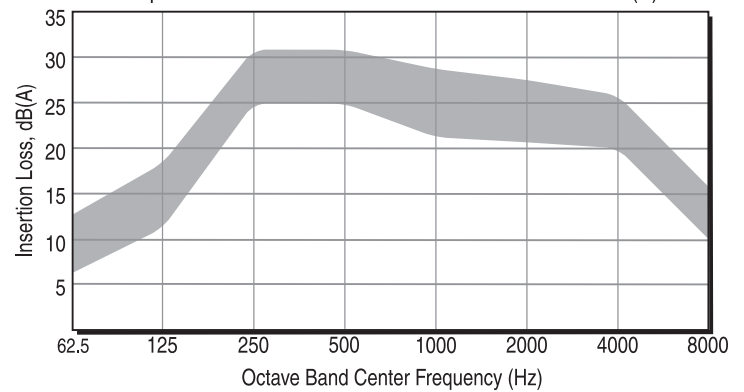
- Typical Insertion Loss = 28 — 33 dB(A)
(Actual Insertion Loss May Vary Per Application)
- Compact Spiral Chamber Design
- Low Back Pressure
- Aluminized Steel Construction
- Low Weight
- Standard Slip-Fit Connections
- Standard High Temp Finish
- Complete Line of Accessories and Mounting Brackets
- Stainless Steel Construction & Factory Customization Available



Engine Exhaust Silencer Shown with Optional Accessories



Representative Cowl Insertion Loss - TXS Series dB(A)



Dimensions in Inches/Millimeters, Weight in Pounds/Kilograms

| Part No. | A inch / mm | C inch / mm | D inch / mm | G inch / mm | K inch / mm | Weight pounds / kg |
|-------------|----------------|----------------|----------------|----------------|----------------|-----------------------|
| TXS15SL000 | 1.50 / 38 | 5.24 / 133 | 2.50 / 64 | 8.81 / 224 | .50 / 13 | 11 / 5 |
| TXS20SL000 | 2.00 / 51 | 7.24 / 184 | 3.50 / 89 | 8.81 / 224 | .50 / 13 | 17 / 8 |
| TXS25SL000 | 2.50 / 64 | 8.24 / 209 | 3.25 / 83 | 11.81 / 300 | .75 / 19 | 28 / 13 |
| TXS30SL000 | 3.00 / 76 | 9.24 / 235 | 5.00 / 127 | 16.06 / 408 | 1.00 / 25 | 52 / 24 |
| TXS35SL000 | 3.50 / 89 | 11.49 / 292 | 5.00 / 127 | 16.06 / 408 | 1.00 / 25 | 61 / 28 |
| TXS40SL000 | 4.00 / 102 | 15.49 / 393 | 5.00 / 127 | 16.06 / 408 | 1.00 / 25 | 75 / 34 |
| TXS45SL000 | 4.50 / 114 | 12.49 / 317 | 4.55 / 116 | 19.38 / 492 | 1.45 / 37 | 71 / 33 |
| TXS50SL000 | 5.00 / 127 | 16.49 / 419 | 4.55 / 116 | 19.38 / 492 | 1.45 / 37 | 96 / 44 |
| TXS60SL000 | 6.00 / 152 | 22.49 / 571 | 4.55 / 116 | 19.38 / 492 | 1.45 / 37 | 120 / 55 |
| TXS70SL000 | 8.00 / 203 | 15.41 / 391 | 6.55 / 166 | 26.50 / 673 | 1.45 / 37 | 140 / 64 |
| TXS80SL000 | 8.00 / 203 | 24.33 / 618 | 6.55 / 166 | 26.50 / 673 | 1.45 / 37 | 220 / 100 |
| TXS100SL000 | 10.00 / 254 | 30.08 / 764 | 6.25 / 159 | 34.00 / 864 | 1.75 / 44 | 330 / 150 |
| TXS120SL000 | 12.00 / 305 | 36.08 / 916 | 5.75 / 146 | 40.00 / 1016 | 2.25 / 57 | 475 / 216 |

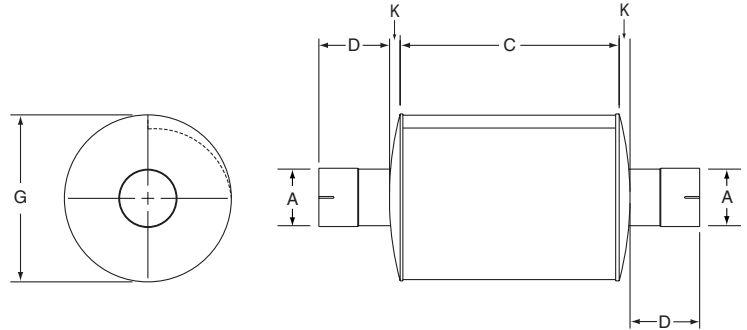


Engine Exhaust Silencers

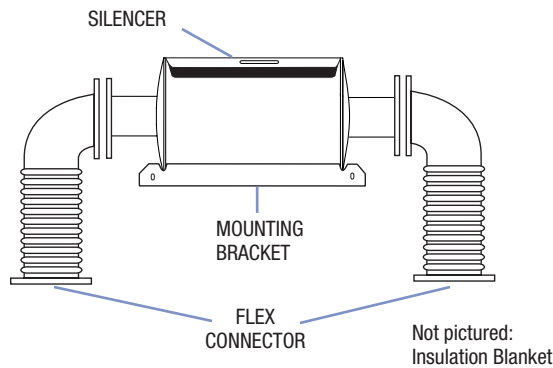
TXS CRITICAL GRADE — “SV” MODEL

Standard Features

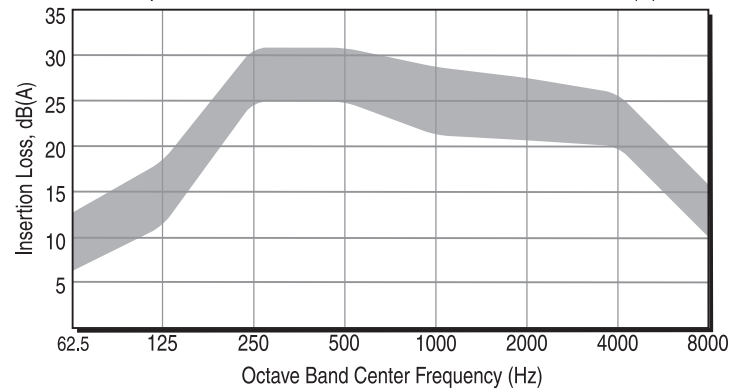
- Typical Insertion Loss = 28 — 33 dB(A)
(Actual Insertion Loss May Vary Per Application)
- Compact Spiral Chamber Design
- Low Back Pressure
- Aluminized Steel Construction
- Low Weight
- Standard Slip-Fit Connections
- Standard High Temp Finish
- Complete Line of Accessories and Mounting Brackets
- Stainless Steel Construction & Factory Customization Available



Engine Exhaust Silencer Shown with Optional Accessories



Representative Cowl Insertion Loss - TXS Series dB(A)



Dimensions in Inches/Millimeters, Weight in Pounds/Kilograms

| Part No. | A inch / mm | C inch / mm | D inch / mm | G inch / mm | K inch / mm | Weight pounds / kg |
|---------------|----------------|----------------|----------------|----------------|----------------|-----------------------|
| TXS20SV000 | 2.00 / 51 | 9.24 / 235 | 3.00 / 76 | 16.06 / 408 | 1.00 / 25 | 50 / 23 |
| TXS25SV000 | 2.50 / 64 | 11.49 / 292 | 3.00 / 76 | 16.06 / 408 | 1.00 / 25 | 62 / 29 |
| TXS30SV000 | 3.00 / 76 | 15.49 / 393 | 5.00 / 127 | 16.06 / 408 | 1.00 / 25 | 76 / 35 |
| TXS35SV000 | 3.50 / 89 | 16.50 / 419 | 4.55 / 116 | 19.38 / 492 | 1.45 / 37 | 97 / 44 |
| TXS40SV000 | 4.00 / 102 | 22.49 / 571 | 4.55 / 116 | 19.38 / 492 | 1.45 / 37 | 125 / 57 |
| TXS45SV000 | 4.50 / 114 | 22.49 / 571 | 4.55 / 116 | 19.38 / 492 | 1.45 / 37 | 126 / 58 |
| TXS50SV-7000 | 5.00 / 127 | 15.41 / 391 | 4.55 / 116 | 26.50 / 673 | 1.45 / 37 | 150 / 68 |
| TXS50SV-8000 | 5.00 / 127 | 24.33 / 618 | 4.55 / 116 | 26.50 / 673 | 1.45 / 37 | 220 / 100 |
| TXS60SV-8000 | 6.00 / 152 | 24.33 / 618 | 4.55 / 116 | 26.50 / 673 | 1.45 / 37 | 220 / 100 |
| TXS80SV-10000 | 8.00 / 203 | 30.08 / 764 | 6.25 / 159 | 34.00 / 864 | 1.75 / 44 | 337 / 153 |
| TXS80SV-12000 | 8.00 / 203 | 36.06 / 916 | 5.75 / 146 | 40.00 / 1016 | 2.25 / 57 | 500 / 227 |

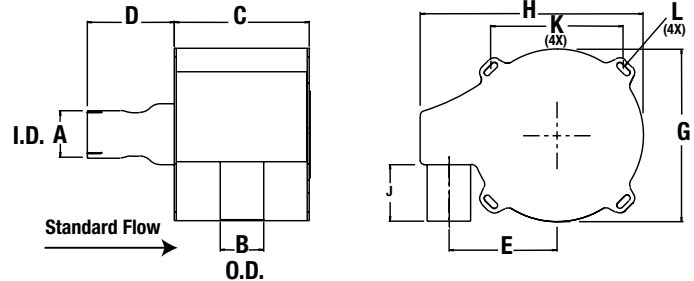


Engine Exhaust Silencers

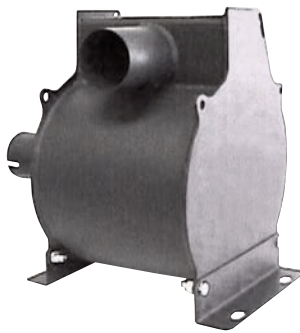
MS RESIDENTIAL GRADE — “PR” MODEL

Standard Features

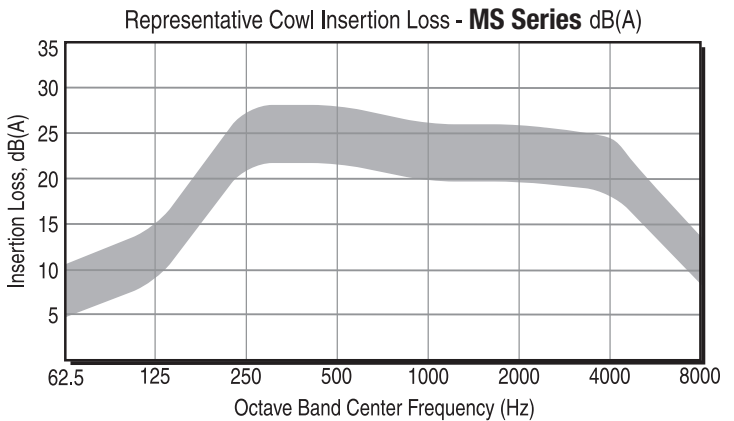
- Compact Spiral Design With Integral Mounting System
- Typical Insertion Loss 22 — 28 dB(A)
- Low Back Pressure
- Reverse Flow Available for Application Flexibility
- Interchangeable With Current TS Design
- Standard High Temperature Paint Finish
- Complete Line of Accessories and Mounting Brackets
- Stainless Steel Construction & Factory Customization Available



Engine Exhaust Silencer & Optional Bracket(s)



Not pictured:
Insulation Blanket
and Exhaust Accessories



Dimensions in Inches/Millimeters, Weight in Pounds/Kilograms

| Part No. | A inch / mm | B inch / mm | C inch / mm | D inch / mm | E inch / mm | G inch / mm | H inch / mm | J inch / mm | K inch / mm | L inch / mm | Weight pounds / kg |
|------------|----------------|----------------|----------------|----------------|----------------|----------------|----------------|----------------|----------------|----------------------------|-----------------------|
| MS20PRS000 | 2.00 / 51 | 2.00 / 51 | 7.28 / 185 | 4.00 / 102 | 4.37 / 111 | 7.25 / 184 | 9.68 / 246 | 2.50 / 4 | 5.50 / 140 | 0.44 x 1.12 / 11 x 28 SLOT | 14 / 6.4 |
| MS25PRS000 | 2.50 / 64 | 2.50 / 64 | 8.28 / 210 | 4.00 / 102 | 5.66 / 144 | 8.88 / 226 | 11.69 / 297 | 3.00 / 76 | 6.91 / 176 | 0.44 x 1.12 / 11 x 28 SLOT | 19 / 8.6 |
| MS30PRS000 | 3.00 / 76 | 3.00 / 76 | 9.28 / 236 | 6.00 / 152 | 7.41 / 188 | 11.89 / 302 | 15.35 / 390 | 4.00 / 102 | 9.12 / 232 | 0.44 x 1.12 / 11 x 28 SLOT | 31 / 14 |
| MS35PRS000 | 3.50 / 89 | 3.50 / 89 | 11.53 / 293 | 6.00 / 152 | 7.66 / 195 | 11.89 / 302 | 15.60 / 396 | 4.00 / 102 | 9.12 / 232 | 0.44 x 1.12 / 11 x 28 SLOT | 38 / 18 |
| MS40PRS000 | 4.00 / 102 | 4.00 / 102 | 15.53 / 394 | 6.00 / 152 | 7.76 / 197 | 11.89 / 302 | 16.08 / 408 | 4.00 / 102 | 9.12 / 232 | 0.44 x 1.12 / 11 x 28 SLOT | 46 / 21 |
| MS45PRS000 | 4.50 / 114 | 4.50 / 114 | 12.53 / 318 | 6.00 / 152 | 10.04 / 255 | 16.13 / 410 | 21.01 / 534 | 5.63 / 143 | 12.00 / 305 | 0.44 x 1.12 / 11 x 28 SLOT | 65 / 30 |
| MS50PRS000 | 5.00 / 127 | 5.00 / 127 | 16.53 / 420 | 6.00 / 152 | 10.27 / 261 | 16.13 / 410 | 21.83 / 543 | 5.40 / 137 | 12.00 / 305 | 0.44 x 1.12 / 11 x 28 SLOT | 71 / 33 |
| MS60PRS000 | 6.00 / 152 | 6.00 / 152 | 22.53 / 572 | 6.00 / 152 | 10.96 / 278 | 16.13 / 410 | 22.81 / 579 | 4.78 / 121 | 12.00 / 305 | 0.44 x 1.12 / 11 x 28 SLOT | 92 / 42 |

CONTACT FACTORY FOR OTHER SIZES.

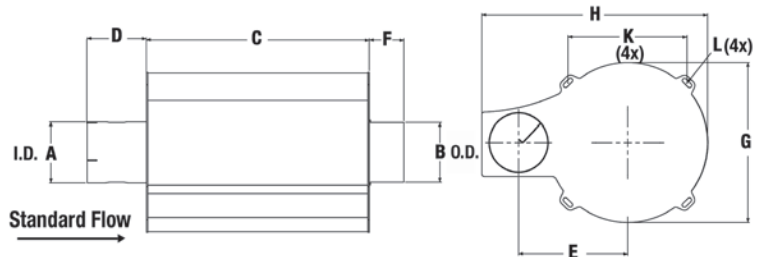


Engine Exhaust Silencers

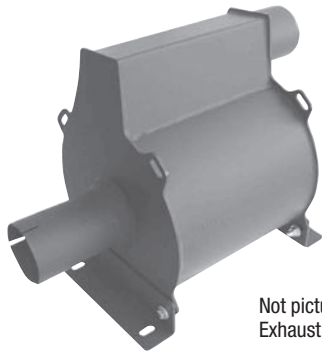
MS RESIDENTIAL GRADE — “TR” MODEL

Standard Features

- Compact Spiral Design With Integral Mounting System
- Typical Insertion Loss 22 — 28 dB(A)
- Low Back Pressure
- Reverse Flow Available for Application Flexibility
- Interchangeable With Current TS Design
- Standard High Temperature Paint Finish
- Complete Line of Accessories and Mounting Brackets
- Stainless Steel Construction & Factory Customization Available

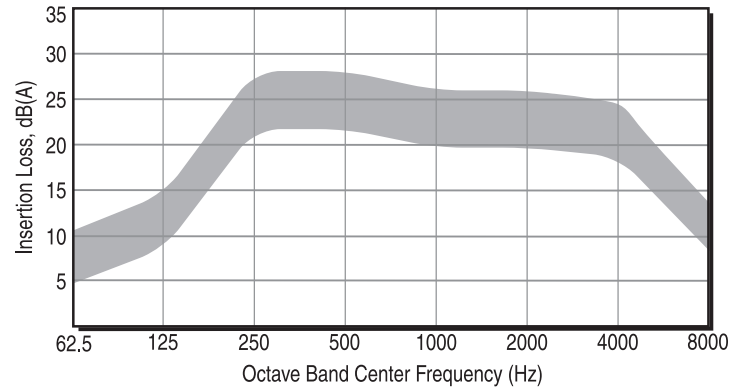


Engine Exhaust Silencer & Optional Bracket(s)



Not pictured: Insulation Blanket and Exhaust Accessories

Representative Cowl Insertion Loss - MS Series dB(A)



Dimensions in Inches/Millimeters, Weight in Pounds/Kilograms

| Part No. | A inch / mm | B inch / mm | C inch / mm | D inch / mm | E inch / mm | G inch / mm | H inch / mm | J inch / mm | K inch / mm | L inch / mm | Weight pounds / kg |
|------------|----------------|----------------|----------------|----------------|----------------|----------------|----------------|----------------|----------------|----------------------------|-----------------------|
| MS20TRS000 | 2.00 / 51 | 2.00 / 51 | 7.28 / 185 | 4.00 / 102 | 4.37 / 111 | 7.25 / 184 | 9.68 / 246 | 2.50 / 64 | 5.50 / 140 | 0.44 x 1.12 / 11 x 28 SLOT | 14 / 6.4 |
| MS25TRS000 | 2.50 / 64 | 2.50 / 64 | 8.28 / 210 | 4.00 / 102 | 5.66 / 144 | 8.88 / 223 | 11.69 / 297 | 3.00 / 766 | 6.91 / 176 | .44 x 1.12 / 11 x 28 SLOT | 19 / 8.6 |
| MS30TRS000 | 3.00 / 76 | 3.00 / 76 | 9.28 / 236 | 6.00 / 152 | 7.041 / 188 | 2.75 / 70 | 11.89 / 302 | 15.35 / 390 | 9.12 / 232 | 0.44 x 1.12 / 11 x 28 SLOT | 31 / 14 |
| MS35TRS000 | 3.50 / 89 | 3.50 / 89 | 11.53 / 293 | 6.00 / 152 | 7.66 / 195 | 3.00 / 76 | 11.89 / 302 | 15.60 / 376 | 9.12 / 232 | 0.44 x 1.12 / 11 x 28 SLOT | 38 / 18 |
| MS40TRS000 | 4.00 / 102 | 4.00 / 102 | 15.53 / 394 | 6.00 / 152 | 7.91 / 201 | 3.00 / 76 | 11.89 / 302 | 16.08 / 408 | 9.12 / 232 | 0.44 x 1.12 / 11 x 28 SLOT | 46 / 21 |
| MS45TRS000 | 4.50 / 114 | 4.50 / 114 | 12.53 / 318 | 6.00 / 152 | 10.28 / 261 | 3.50 / 89 | 16.13 / 410 | 21.01 / 534 | 12.00 / 305 | 0.44 x 1.12 / 11 x 28 SLOT | 65 / 30 |
| MS50TRS000 | 5.00 / 127 | 5.00 / 127 | 16.53 / 420 | 6.00 / 152 | 10.53 / 267 | 3.50 / 89 | 16.13 / 410 | 21.83 / 543 | 12.00 / 305 | 0.44 x 1.12 / 11 x 28 SLOT | 71 / 33 |
| MS60TRS000 | 6.00 / 152 | 6.00 / 152 | 22.53 / 572 | 6.00 / 152 | 11.03 / 280 | 3.50 / 89 | 16.13 / 410 | 22.81 / 579 | 12.00 / 305 | 0.44 x 1.12 / 11 x 28 SLOT | 92 / 42 |

CONTACT FACTORY FOR OTHER SIZES.

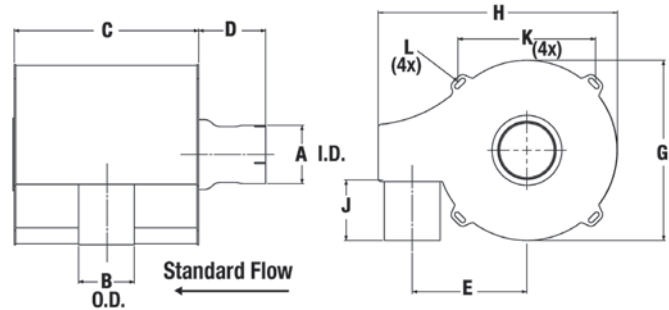


Engine Exhaust Silencers

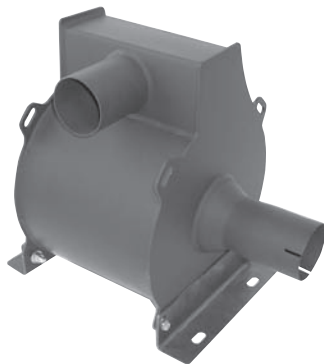
MS RESIDENTIAL GRADE — “PL” MODEL

Standard Features

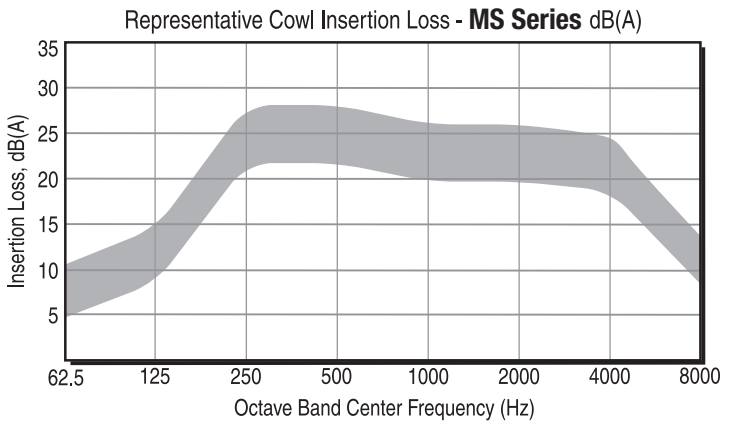
- Compact Spiral Design With Integral Mounting System
- Typical Insertion Loss 22 — 28 dB(A)
- Low Back Pressure
- Reverse Flow Available for Application Flexibility
- Interchangeable With Current TS Design
- Standard High Temperature Paint Finish
- Complete Line of Accessories and Mounting Brackets
- Stainless Steel Construction & Factory Customization Available



Engine Exhaust Silencer & Optional Bracket(s)



Not pictured:
Insulation Blanket
and Exhaust Accessories



Dimensions in Inches/Millimeters, Weight in Pounds/Kilograms

| Part No. | A inch / mm | B inch / mm | C inch / mm | D inch / mm | E inch / mm | G inch / mm | H inch / mm | J inch / mm | K inch / mm | L inch / mm | Weight pounds / kg |
|------------|----------------|----------------|----------------|----------------|----------------|----------------|----------------|----------------|----------------|----------------------------|-----------------------|
| MS20PLS000 | 2.00 / 51 | 2.00 / 51 | 7.28 / 185 | 4.00 / 102 | 4.37 / 112 | 7.25 / 184 | 9.68 / 246 | 2.50 / 64 | 5.50 / 140 | 0.44 x 1.12 / 11 x 28 SLOT | 14 / 6.4 |
| MS25PLS000 | 2.50 / 64 | 2.50 / 64 | 8.28 / 210 | 4.00 / 102 | 5.66 / 144 | 8.88 / 226 | 11.69 / 297 | 3.00 / 76 | 6.91 / 176 | 0.44 x 1.12 / 11 x 28 SLOT | 19 / 8.6 |
| MS30PLS000 | 3.00 / 76 | 3.00 / 76 | 9.28 / 236 | 6.00 / 152 | 7.41 / 188 | 11.89 / 302 | 15.35 / 390 | 4.00 / 102 | 9.12 / 232 | 0.44 x 1.12 / 11 x 28 SLOT | 31 / 14 |
| MS35PLS000 | 3.50 / 89 | 3.50 / 89 | 11.53 / 293 | 6.00 / 152 | 7.26 / 184 | 11.89 / 302 | 15.60 / 396 | 4.00 / 102 | 9.12 / 232 | 0.44 x 1.12 / 11 x 28 SLOT | 38 / 18 |
| MS40PLS000 | 4.00 / 102 | 4.00 / 102 | 15.53 / 394 | 6.00 / 152 | 7.76 / 197 | 11.89 / 302 | 16.08 / 408 | 3.75 / 95 | 9.12 / 232 | 0.44 x 1.12 / 11 x 28 SLOT | 46 / 21 |
| MS45PLS000 | 4.50 / 114 | 4.50 / 114 | 12.53 / 318 | 6.00 / 152 | 10.04 / 255 | 16.13 / 410 | 21.01 / 534 | 5.50 / 140 | 12.00 / 305 | 0.44 x 1.12 / 11 x 28 SLOT | 65 / 30 |
| MS50PLS000 | 5.00 / 127 | 5.00 / 127 | 16.53 / 420 | 6.00 / 152 | 10.27 / 261 | 16.13 / 410 | 21.83 / 543 | 5.50 / 140 | 12.00 / 305 | 0.44 x 1.12 / 11 x 28 SLOT | 71 / 33 |
| MS60PLS000 | 6.00 / 152 | 6.00 / 152 | 22.53 / 572 | 6.00 / 152 | 10.96 / 278 | 16.13 / 410 | 22.81 / 579 | 4.75 / 121 | 12.00 / 305 | 0.44 x 1.12 / 11 x 28 SLOT | 92 / 42 |

CONTACT FACTORY FOR OTHER SIZES.

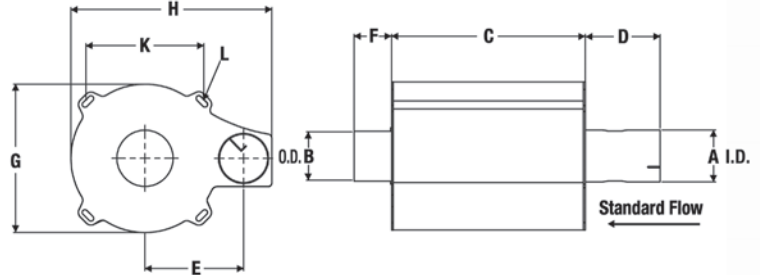


Engine Exhaust Silencers

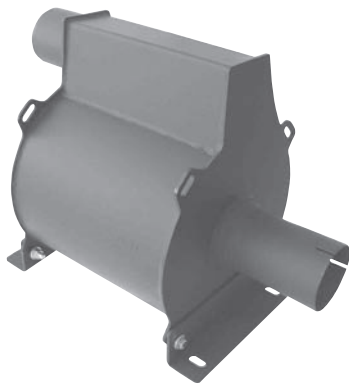
MS RESIDENTIAL GRADE — “TL” MODEL

Standard Features

- Compact Spiral Design With Integral Mounting System
- Typical Insertion Loss 22 — 28 dB(A)
- Low Back Pressure
- Reverse Flow Available for Application Flexibility
- Interchangeable With Current TS Design
- Standard High Temperature Paint Finish
- Complete Line of Accessories and Mounting Brackets
- Stainless Steel Construction & Factory Customization Available

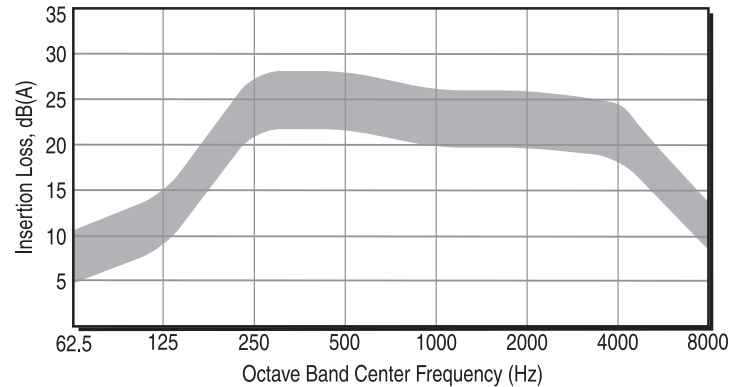


Engine Exhaust Silencer & Optional Bracket(s)



Not pictured:
Insulation Blanket
and Exhaust Accessories

Representative Cowl Insertion Loss - MS Series dB(A)



Dimensions in Inches/Millimeters, Weight in Pounds/Kilograms

| Part No. | A inch / mm | B inch / mm | C inch / mm | D inch / mm | E inch / mm | F inch / mm | G inch / mm | H inch / mm | K inch / mm | L inch / mm | Weight pounds / kg |
|------------|----------------|----------------|----------------|----------------|----------------|----------------|----------------|----------------|----------------|----------------------------|-----------------------|
| MS20TLS000 | 2.00 / 51 | 2.00 / 51 | 7.28 / 185 | 4.00 / 102 | 4.37 / 111 | 2.00 / 51 | 7.25 / 184 | 9.68 / 246 | 5.5 / 140 | 0.44 x 1.12 / 11 x 28 SLOT | 14 / 6.4 |
| MS25TLS000 | 2.50 / 64 | 2.50 / 64 | 8.28 / 210 | 4.00 / 102 | 5.66 / 144 | 2.50 / 64 | 8.88 / 226 | 11.69 / 297 | 6.91 / 176 | 0.44 x 1.12 / 11 x 28 SLOT | 19 / 8.6 |
| MS30TLS000 | 3.00 / 76 | 3.00 / 76 | 9.28 / 236 | 6.00 / 152 | 7.41 / 188 | 2.75 / 70 | 11.89 / 302 | 15.35 / 390 | 9.12 / 232 | 0.44 x 1.12 / 11 x 28 SLOT | 31 / 14 |
| MS35TLS000 | 3.50 / 89 | 3.50 / 89 | 11.53 / 293 | 6.00 / 152 | 7.66 / 195 | 3.00 / 76 | 11.89 / 302 | 15.60 / 396 | 9.12 / 232 | 0.44 x 1.12 / 11 x 28 SLOT | 38 / 18 |
| MS40TLS000 | 4.00 / 102 | 4.00 / 102 | 15.53 / 394 | 6.00 / 152 | 7.76 / 197 | 3.00 / 76 | 11.89 / 302 | 16.08 / 408 | 9.12 / 232 | 0.44 x 1.12 / 11 x 28 SLOT | 46 / 21 |
| MS45TLS000 | 4.50 / 114 | 4.50 / 114 | 12.53 / 318 | 6.00 / 152 | 10.04 / 255 | 3.50 / 89 | 16.13 / 410 | 21.01 / 534 | 12.00 / 305 | 0.44 x 1.12 / 11 x 28 SLOT | 65 / 30 |
| MS50TLS000 | 5.00 / 127 | 5.00 / 127 | 16.53 / 420 | 6.00 / 152 | 10.27 / 261 | 3.50 / 89 | 16.13 / 410 | 21.83 / 543 | 12.00 / 305 | 0.44 x 1.12 / 11 x 28 SLOT | 71 / 33 |
| MS60TLS000 | 6.00 / 152 | 6.00 / 152 | 22.53 / 572 | 6.00 / 152 | 10.96 / 278 | 3.50 / 89 | 16.13 / 410 | 22.81 / 579 | 12.00 / 305 | 0.44 x 1.12 / 11 x 28 SLOT | 92 / 42 |

CONTACT FACTORY FOR OTHER SIZES.



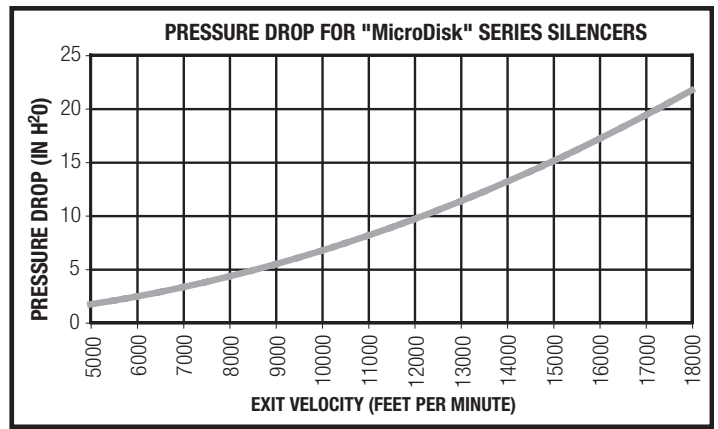
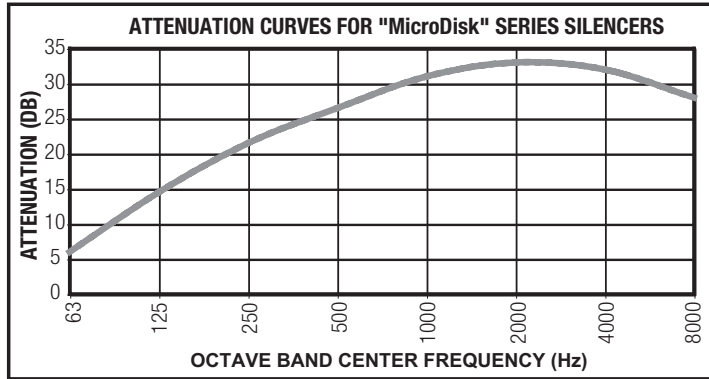
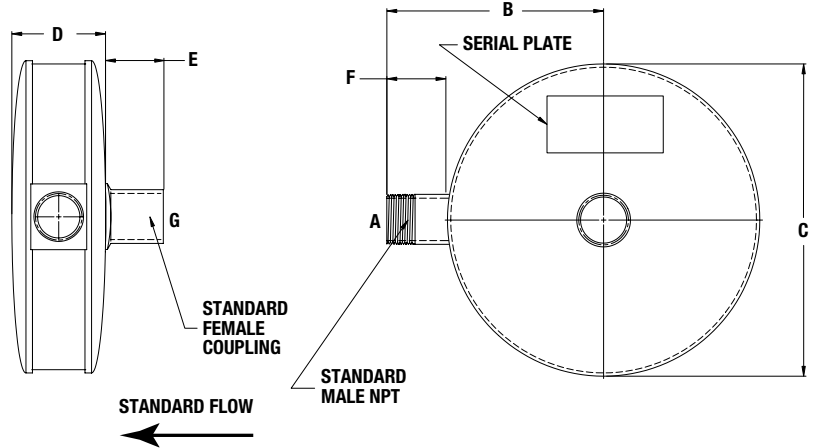
Special Silencers

MICRODISC SERIES

Standard Features

- Compact, low profile for space limited applications
- Internal thermal/acoustical insulation
- Spiral Chamber design — low back-pressure and premium attenuation
- Bi-directional flow
- High temperature satin black finish
- 3-D CAD modeling for OEM application engineering

Engine Exhaust Silencer & Optional Bracket(s)



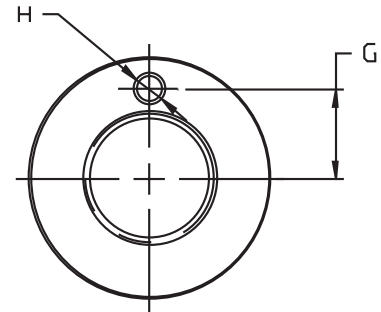
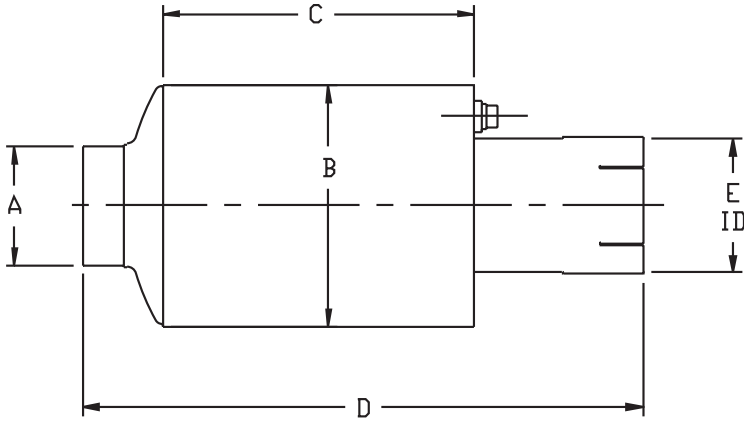
Dimensions in Inches/Millimeters, Weight in Pounds/Kilograms

| Part No. | A inch / mm | B inch / mm | C inch / mm | D inch / mm | E inch / mm | F inch / mm | G inch / mm | Weight pounds / kg |
|-----------|----------------|----------------|----------------|----------------|----------------|----------------|----------------|-----------------------|
| MD125S000 | 1.25 (32) | 7.44 (189) | 11.88 (302) | 3.56 (90) | 1.44 (37) | 1.5 (38) | 1.25 (32) | 12 (5.4) |
| MD15S000 | 1.5 (38) | 8.24 (209) | 11.88 (302) | 3.81 (97) | 2.0 (51) | 2.25 (57) | 1.5 (38) | 12 (5.4) |
| MD20S000 | 2.0 (51) | 8.24 (209) | 11.88 (302) | 4.06 (103) | 2.28 (58) | 2.25 (57) | 2.0 (51) | 14 (6.4) |

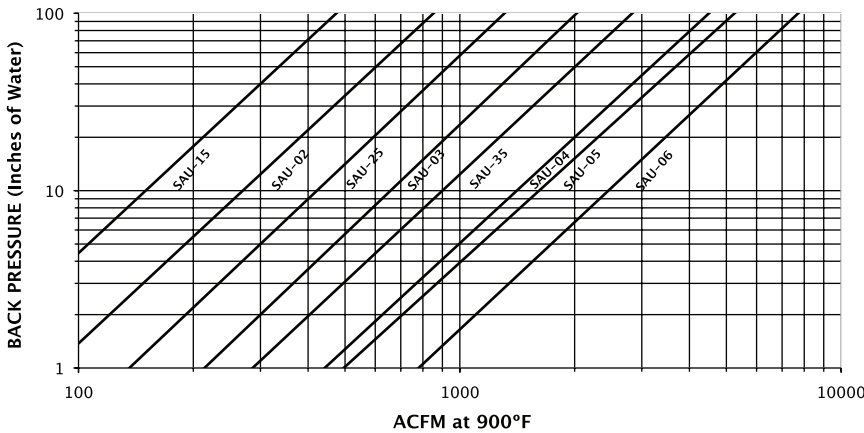
CONTACT FACTORY FOR OTHER SIZES.



Spark Arrestors - "SAU" Series Industrial Grade



PRESSURE DROP FOR "SAU" SERIES



Standard Silencer Application

- Exhaust spark arrester
- Designed for mobile and stationary engines
- Recommended for hazardous environments

Standard Construction Features

- U.S. department of Agriculture (Forest Service) qualified
- Tested by U.S. Forest Service and rated virtually 100% efficient
- Aluminized and stainless steel construction
- Slotted ID inlet / Stub OD outlet
- Protective finish applied
- Can be mounted vertically or horizontally

Optional

- Complete line of accessories

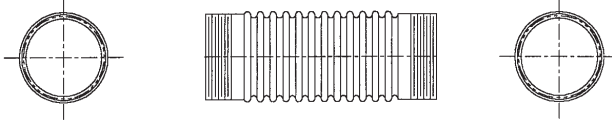
Dimensions in Inches/Millimeters, Weight in Pounds/Kilograms

| With Mnpt/ Stub Connection Part Number | With Slotted/ Stub Connection Part Number | A Inch / Mm | B Inch / Mm | C Inch / Mm | D Inch / Mm | E Inch / Mm | J Inch / Mm | G Inch / Mm | H Inch / Mm | Weight Pounds / Kg |
|--|---|----------------|----------------|----------------|----------------|----------------|----------------|----------------|----------------|-----------------------|
| SAU-15-980330 | SAU-15-981071 | 1.5 / 38 | 6.0 / 152 | 3.8 / 97 | 10.38 / 264 | 1.5 / 38 | 3.52 / 89 | 1.9 / 48 | 3/8 / 9.5 | 5 / 2.3 |
| SAU-02-980331 | SAU-02-981072 | 2.0 / 51 | 6.0 / 152 | 5.1 / 130 | 10.72 / 272 | 2.0 / 51 | 5.62 / 143 | 2.0 / 51 | 3/8 / 9.5 | 6 / 2.7 |
| SAU-25-980332 | SAU-25-981073 | 2.5 / 64 | 6.6 / 168 | 6.2 / 157 | 15.47 / 393 | 2.5 / 64 | 6.12 / 155 | 2.3 / 58 | 3/8 / 9.5 | 8 / 3.6 |
| SAU-03-980333 | SAU-03-981074 | 3.0 / 76 | 7.0 / 178 | 7.6 / 193 | 18.00 / 457 | 3.0 / 76 | 7.38 / 187 | 2.5 / 64 | 3/8 / 9.5 | 10 / 4.5 |
| SAU-35-980334 | SAU-35-981075 | 3.5 / 89 | 7.0 / 178 | 9.0 / 229 | 20.52 / 521 | 3.5 / 89 | 8.62 / 219 | 2.6 / 66 | 1/2 / 13 | 12 / 5.4 |
| SAU-04-980335 | SAU-04-981076 | 4.0 / 102 | 8.0 / 203 | 10.6 / 269 | 22.31 / 567 | 4.0 / 102 | 9.12 / 232 | 3.0 / 76 | 1/2 / 13 | 15 / 6.8 |
| SAU-05-980336 | SAU-05-981077 | 5.0 / 127 | 9.0 / 229 | 11.8 / 300 | 24.87 / 632 | 5.0 / 127 | 10.18 / 259 | 3.5 / 89 | 1/2 / 13 | 21 / 9.5 |
| SAU-06-980337 | SAU-06-981078 | 6.0 / 152 | 10.0 / 254 | 13.3 / 338 | 26.72 / 679 | 6.0 / 153 | 10.24 / 260 | 4.0 / 102 | 1/2 / 13 | 25 / 11.3 |

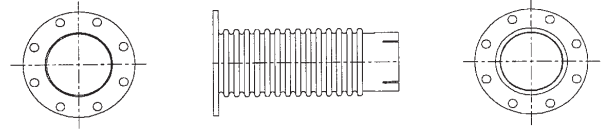


Engine Exhaust — Accessories

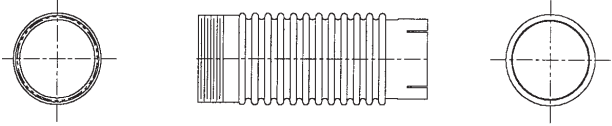
MALE NPT/MALE NPT



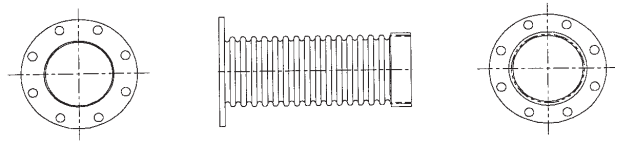
FLANGE/SLOTTED CUFF



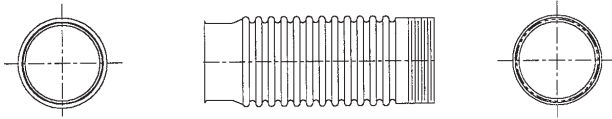
MALE NPT/SLOTTED CUFF



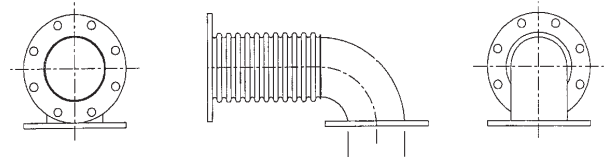
FLANGE/FEMALE NPT



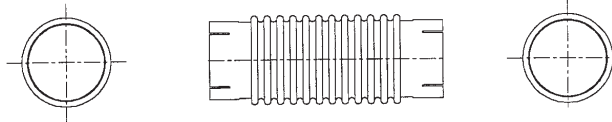
20° LIP FLANGE/MALE NPT



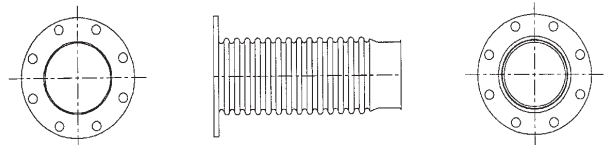
FLANGE/FLANGED 90° ELBOW



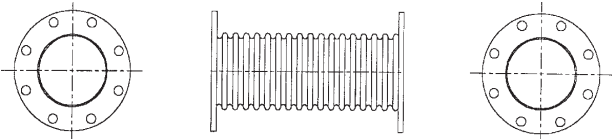
SLOTTED CUFF/SLOTTED CUFF



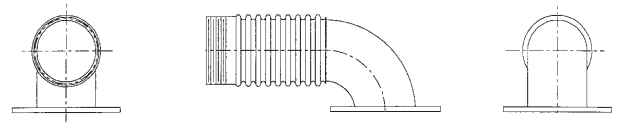
FLANGE/20° LIP FLANGE



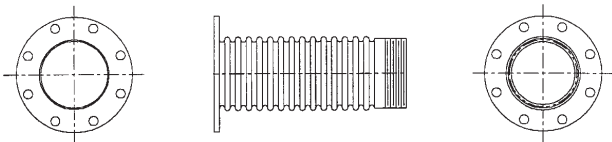
FLANGE/FLANGE



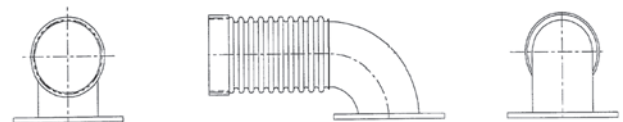
MALE NPT/FLANGED 90° ELBOW



FLANGE/MALE NPT

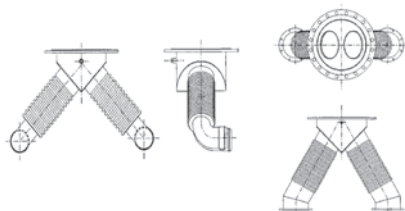


FEMALE NPT/FLANGED 90° ELBOW



WYE CONNECTORS

Available for various applications

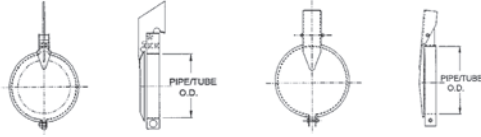


A wide variety of accessories are available to customize your silencer installation — Sure Seal Clamps, Insulation Blankets; Outlet Extensions; Rain Guards; Roof Thimbles; Bolt, Nut, Gasket Kits; Various Types Mounting Supports, Etc.



Engine Exhaust — Accessories

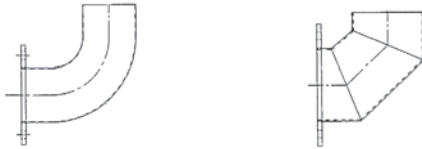
RAIN CAPS Available for Pipe or Tube Applications



90° SHORT RADIUS TUBE ELBOW



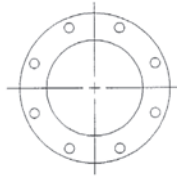
90° SHORT RADIUS ELBOW WITH FLANGE ONE END



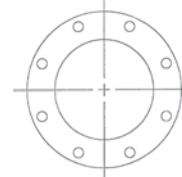
90° SHORT RADIUS TUBE ELBOW WITH FLANGE BOTH ENDS



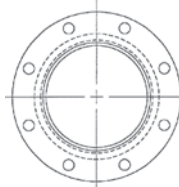
FLANGES — MODEL PFL
Pipe Plate Flange



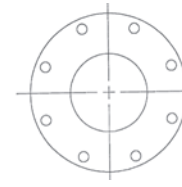
FLANGES — MODEL TFL
Tube Plate Flange



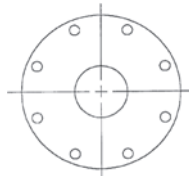
FLANGES — MODEL FLT
Threaded Plate Flange



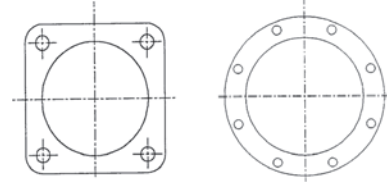
FLANGES — MODEL REFL
Reducing Plate Flange



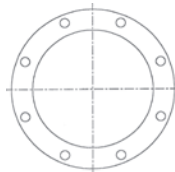
FLANGES — MODEL DREFL
Double Reducing Plate Flange



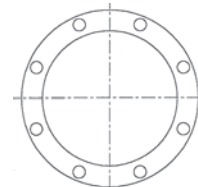
SPECIAL FLANGES CATERPILLAR



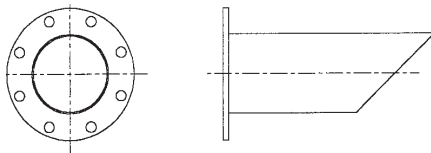
SPECIAL FLANGES DETROIT DIESEL



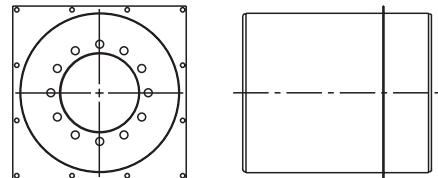
SPECIAL FLANGES CUMMINS/ONAN



MITERED EXHAUST



WALL THIMBLES



A wide variety of accessories are available to customize your silencer installation — Sure Seal Clamps, Insulation Blankets; Outlet Extensions; Rain Guards; Roof Thimbles; Bolt, Nut, Gasket Kits; Various Types Mounting Supports, Etc.

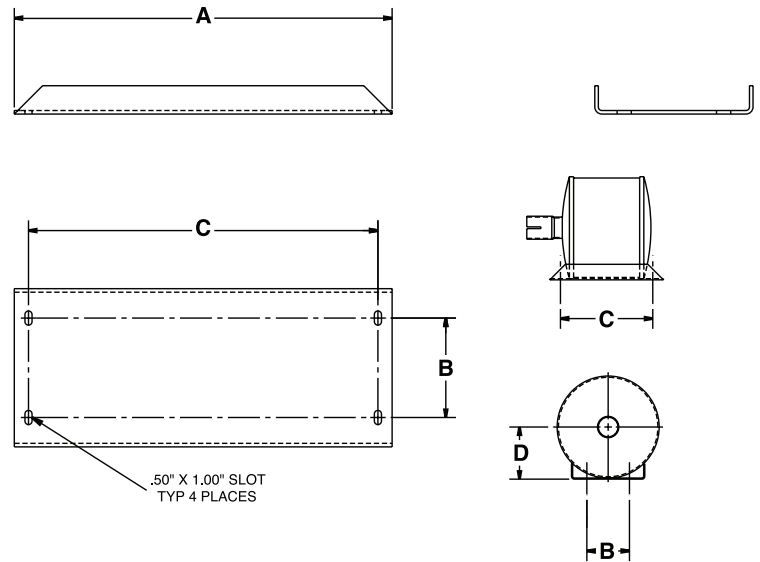


Mounting Brackets

The illustrations below describe the standard mounting brackets. All brackets are constructed with aluminized steel (stainless steel optional). Custom mounting brackets also available. Contact sales representative or factory for custom bracket information.

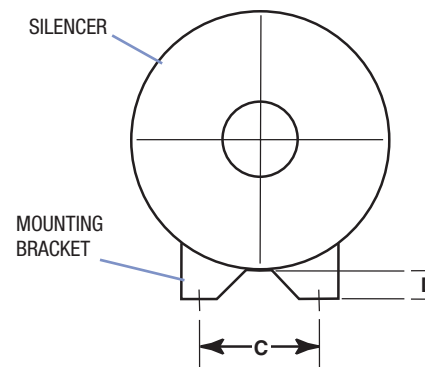
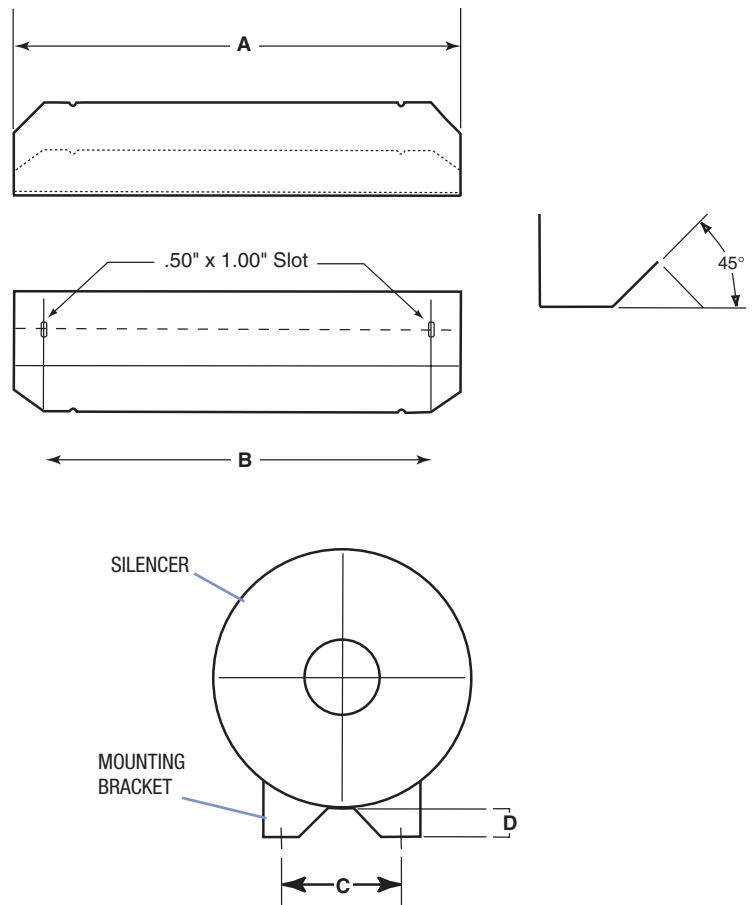
SMALLER SIZE SILENCERS — 1-1/2 to 3-1/2 INCHES

| Part No. | DESCRIPTION | A | B | C | D |
|----------|---------------|-------|------|-------|------|
| 18312-1 | TS15 bracket | 8.50 | 3.00 | 7.00 | 3.67 |
| 18312-2 | TXS15 bracket | 8.50 | 4.00 | 7.00 | 4.48 |
| 18312-3 | TS20 bracket | 10.50 | 3.00 | 9.00 | 3.67 |
| 18312-4 | TXS20 bracket | 10.50 | 4.00 | 9.00 | 4.48 |
| 18312-5 | TS25 bracket | 11.50 | 4.00 | 10.00 | 4.48 |
| 18312-6 | TXS25 bracket | 12.50 | 6.00 | 11.00 | 5.99 |
| 18312-7 | TS30 bracket | 13.50 | 6.00 | 12.00 | 5.99 |
| 18312-8 | TXS30 bracket | 13.50 | 7.50 | 12.00 | 8.13 |
| 18312-9 | TS35 bracket | 15.75 | 6.00 | 14.25 | 5.99 |



LARGER SIZE SILENCERS — 4 to 12 INCHES

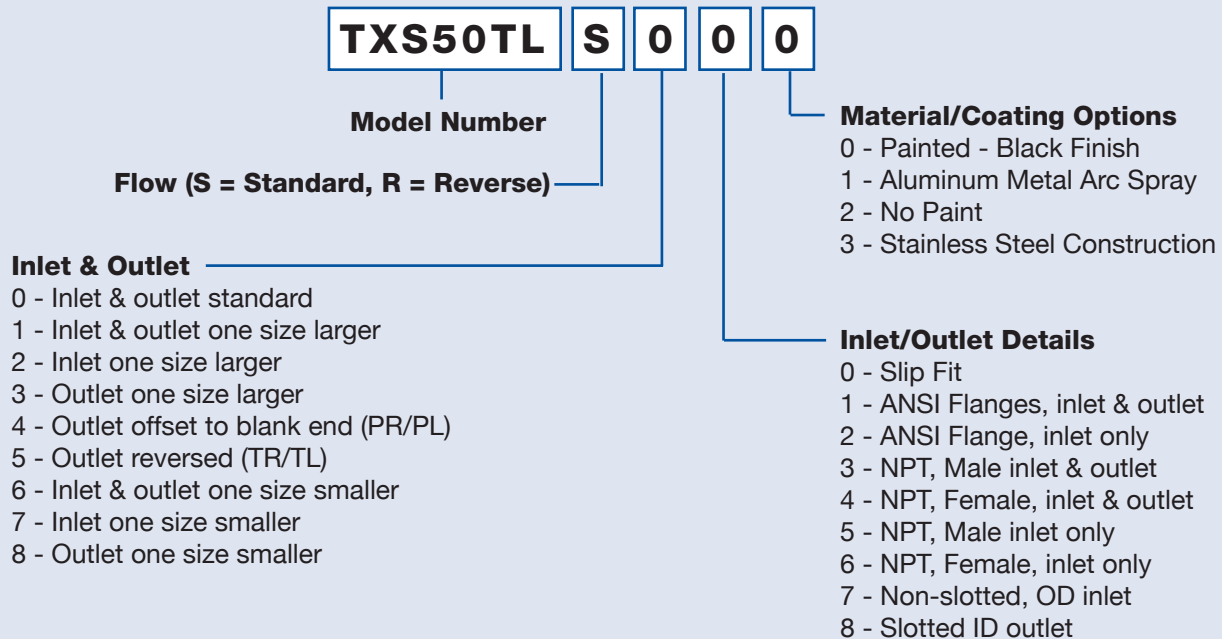
| Part No. | DESCRIPTION | A | B | C | D |
|----------|----------------|-------|-------|-------|------|
| 18109-6 | TS40 bracket | 20.00 | 18.00 | 5.50 | 1.00 |
| 18109-7 | TXS40 bracket | 20.00 | 18.00 | 7.50 | 1.00 |
| 18109-8 | TS45 bracket | 17.00 | 15.00 | 7.50 | 1.00 |
| 18109-9 | TXS45 bracket | 17.00 | 15.00 | 10.00 | 1.00 |
| 18109-10 | TS50 bracket | 21.00 | 19.00 | 7.50 | 1.00 |
| 18109-11 | TXS50 bracket | 21.00 | 19.00 | 10.00 | 1.00 |
| 18109-12 | TS60 bracket | 27.00 | 25.00 | 7.50 | 1.00 |
| 18109-13 | TXS60 bracket | 27.00 | 25.00 | 10.00 | 1.00 |
| 18109-20 | TS70 bracket | 21.00 | 19.00 | 12.00 | 1.00 |
| 18109-21 | TXS70 bracket | 21.00 | 19.00 | 12.00 | 1.00 |
| 18109-14 | TS80 bracket | 30.00 | 28.00 | 12.00 | 1.00 |
| 18109-15 | TXS80 bracket | 30.00 | 28.00 | 12.00 | 1.00 |
| 18109-16 | TS100 bracket | 39.00 | 37.00 | 16.00 | 1.00 |
| 18109-17 | TXS100 bracket | 39.00 | 37.00 | 18.00 | 1.00 |
| 18109-18 | TS120 bracket | 45.00 | 43.00 | 18.00 | 1.00 |
| 18109-19 | TXS120 bracket | 45.00 | 43.00 | 24.00 | 1.00 |





Part Numbering Formats Insulation Blankets

Part Numbering Format: Standard Units



Thermal Insulation Blankets

Type: Custom designed flexible, removable/reusable, insulation blanket.

Applications: Engine exhaust silencers, flex connectors, piping, exhaust elbows, manifolds, turbochargers, heat exchangers.

Insulation Material: High density 11# fiberglass mat rated at 1200 °F. Optional: 8# spun heat-cleaned ceramic fiber wool mat rated at 2300 °F (Unifrax). Thickness: Standard thickness is 1" (dependent on end use options from 1/2" through 3" thick are available).

Construction: High temperature sewn construction. The insulation is encapsulated with either vacuum deposited aluminum coated fiberglass or silicone impregnated fiberglass cloth on the cold face and 304 S.S. knitted wire mesh on the hot face. S.S. capstan rivet fastening.

Installation: Blankets are hand formed around the part/pipe being insulated and laced using 0.032" S.S. lacing wire.

Recommendations: Diesel applications with exhaust temperatures below 1000 °F Fiberglass insulation as specified above. Gasoline powered applications and other applications where temperatures above 1000 °F are expected use ceramic fiber insulation as specified above. Certain applications, depending on thickness, combinations of fiberglass and ceramic fiber with a minimum of 1" thick ceramic fiber inner layer.

Specification Compliance: MIL 1-16411; U.L. Requirement #R11184; Coast Guard Spec #164-0095





Limited Warranty Guarantee

A wide variety of accessories are available to customize your silencer installation — Sure Seal Clamps, Insulation. This limited warranty is expressly limited to the Company's products that have been purchased by the original consumer purchaser or for purposes of resale or use in the ordinary course of the purchaser's business. The term original consumer purchaser is defined as a person who purchases Company products for personal, family, or household use.

The Company's products are warranted against defects in materials and workmanship for a period of one year from date of purchase by purchaser. The exclusive remedy for any product found to be defective under this limited warranty consists of the repair or replacement of the defective product. This limited warranty does not apply to defects which arise from normal wear and tear, surface finish, accident, misuse, abuse, neglect, mishandling, misapplication, faulty installation, vibration, modification, improper or extraordinary use or use inconsistent with any instruction or recommendation issued by the Company.

The foregoing limited warranty is exclusive and in lieu of all other warranties, whether written or oral, express, implied or statutory.

NO IMPLIED WARRANTY OF MERCHANTABILITY OR FITNESS FOR A PARTICULAR PURPOSE SHALL APPLY. THE LIMITED WARRANTY CONTAINED HEREIN DOES NOT EXTEND TO INCIDENTAL OR CONSEQUENTIAL DAMAGES RESULTING FROM THE USE OF THIS PRODUCT, OR ARISING OUT OF A BREACH OF THIS WARRANTY.

To obtain performance of this limited warranty, the alleged defective product must be returned, together with reasonable proof of purchase, postage or freight prepaid, directly to:

WARRANTY DEPARTMENT

Phillips & Temro Industries Ltd.

100 Paquin Road, Bldg. B

Winnipeg, Manitoba R2J 3V4

Phone: (204) 667-2260

FAX: (204) 661-2639

The Company will return the repaired or replaced product, postage or freight prepaid. Final determination of defects shall be made in accordance with procedures established by the Company.

This limited warranty gives the original consumer purchaser specific rights. You may have other rights which vary from state to state or province to province depending upon the location of your residence. Some states do not allow the exclusion or limitation of incidental or consequential damages.

Manufacturer's rights retained:

The Company reserves the right to make changes in design, additions or improvements to any of its products at any time without incurring any obligation whatsoever to install or replace the same or improve upon products previously manufactured.



Customer Profile / Sizing A Silencer

Need additional information?

Please provide us with the following information and we will have a sales representative or the factory contact you direct.

NAME: _____ TITLE: _____

COMPANY: _____

ADDRESS: _____

CITY: _____ STATE: _____ ZIP: _____

PHONE: (____)-____-____ FAX: (____)-____-____ E-MAIL: _____

Please complete and fax to (204) 661-2639 or contact your local Sales Representative/Distributor.

Information Required for Sizing a Cowl® Silencer Sizing Disks Available

For Dry Exhaust System:

1. Engine Model/KW / HP _____

2. Maximum Exhaust Flow Rate (ACFM) _____ Maximum Exhaust Temperature (°F) _____

3. Maximum Allowable Pressure Drop in W.C. _____

4. Engine Exhaust Outlet Size & Description _____

5. Silenced Noise Criteria & Applicable Distance
From Silencer to Which Criteria Applies _____

6. Grade of Silencer Required: _____ Residential _____ Critical

7. Mounted Vertical / Horizontal _____ Model Reference _____

8. Exhaust Pipe System: # of 90° Elbows: _____ Size / Diameter: _____

of 45° Elbows: _____ Size / Diameter: _____

Length of Flex: _____ Size / Diameter: _____

Length of Straight Pipe Run: _____ Size / Diameter: _____