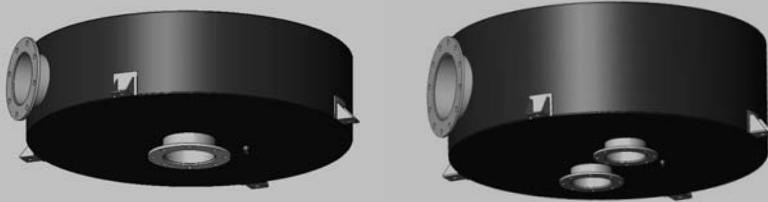


# DISK SILENCERS

**PHILLIPS & TEMRO**  
industries®

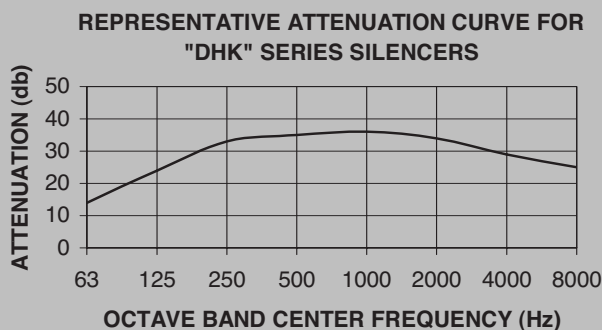
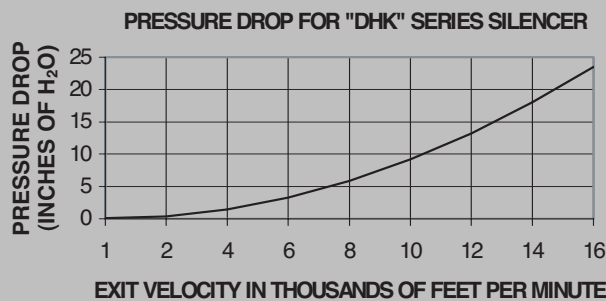
MANUFACTURER OF  SILENCERS AND ACCESSORIES



## Standard Silencer Application

Low-profile hospital grade series silencer is specifically designed for use in enclosures, trailers, marine, and other size restricted areas. Provides effective silencing in low ambient noise areas where critical grade silencer is not sufficient. Silencer is insulated to reduce external surface temperature.

**Average Attenuation 26-43 dB**



## DHK SERIES: HOSPITAL GRADE

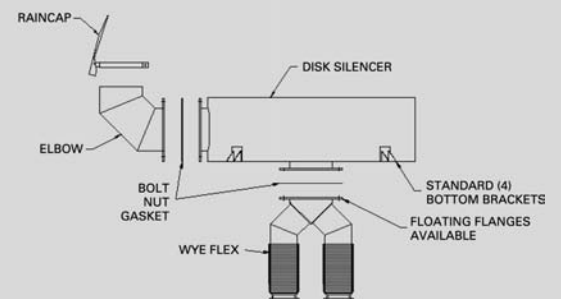
### Standard Construction Features

- Heavy-duty all-welded carbon steel construction
- High temperature (1000°F) satin black finish
- 125/150# ANSI drilled plate flanges on inlet and discharge
- Four mounting tabs
- Can be mounted in any plane
- Low profile
- Internal acoustical/thermal packing

### Optional Construction Features and Accessories

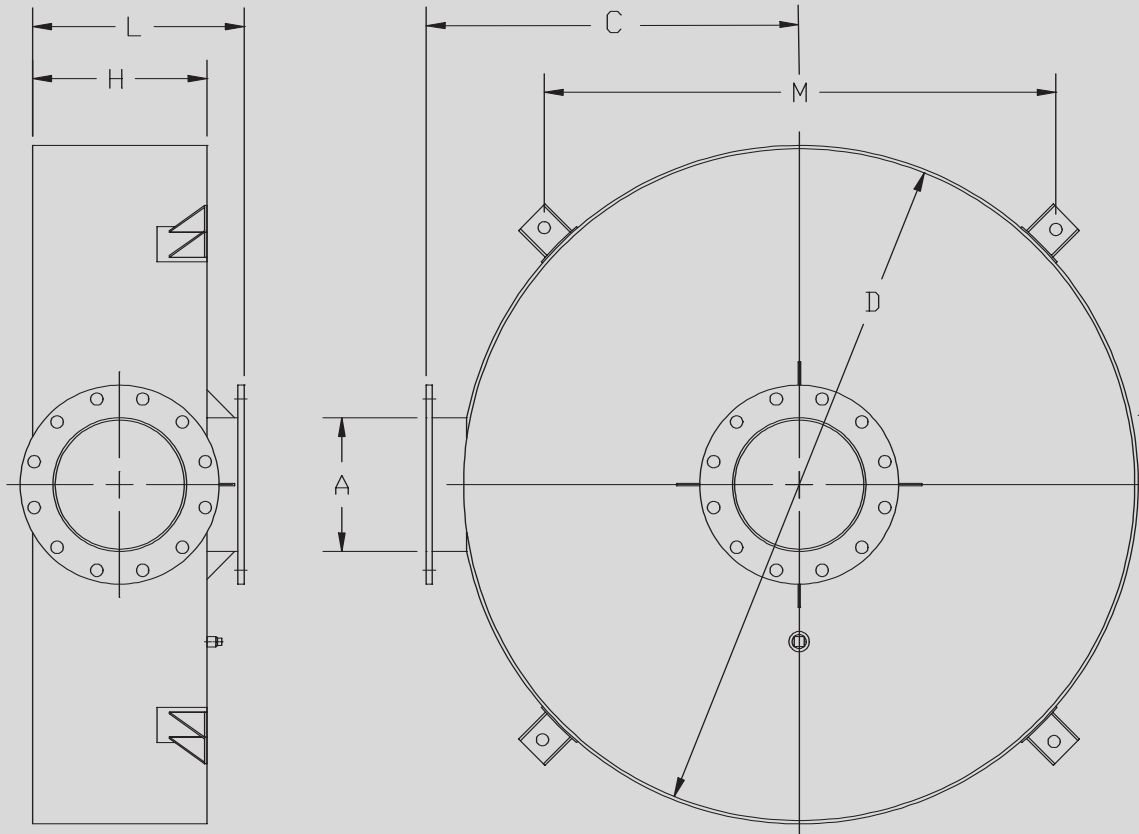
- Stainless steel construction
- Various mounting supports and legs
- Air leak tests
- Special inlet and outlet configurations
- Special inlet and outlet connection types
- Complete line of engine exhaust accessories

Disk Silencer with Single Bottom Inlet/Side Outlet Wye Option



# DISK SILENCERS

## MODEL DHK SERIES HOSPITAL GRADE



Part Number	A	C	D	H	K	L	M	Weight
DHK-04-205349	4	20.5	35	8	38.5	11	1.00	200
DHK-05-205350	5	21.5	37	12	40.5	15	1.00	255
DHK-06-205351	6	23.0	40	12	43.5	15	1.00	400
DHK-08-205352	8	29.5	53	14	56.5	17	1.00	750
DHK-10-205353	10	32.5	59	16	62.5	19	1.00	925
DHK-12-205354	12	38.5	71	20	75.5	23	1.25	1245
DHK-14-205355	14	39.0	72	24	76.5	27	1.25	1300
DHK-16-205356	16	41.0	76	28	80.5	31	1.25	1590
DHK-18-205357	18	46.5	87	30	91.5	33	1.25	2045

- Larger sizes available upon request.

Dimensions in inches, weights in pounds. Dimensions and weights are nominal and may vary slightly with production models. Request certified drawings for exact dimensions.

\* Dimensions of DCS-14, DCS-16, and DCS-18 are based on dual inlet silencers. Dimensions will vary for single inlet silencers.

**Custom sizing available for specific applications**

**Phillips & Temro Industries, Inc.**

Silencer Division • Prior Lake MN 55372 • (952) 440-9200 • Fax: (952) 440-3400 • E-mail: sales@phillipsandtemro.com

[www.phillipsandtemro.com](http://www.phillipsandtemro.com)